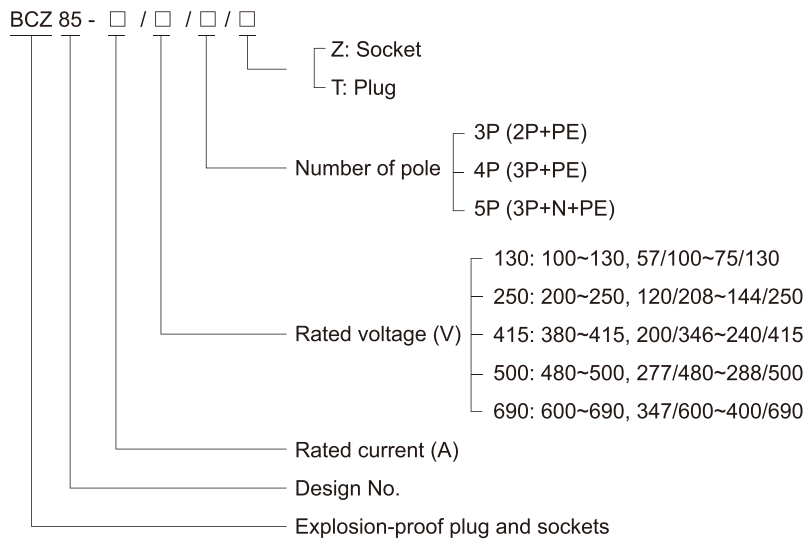


Plug and Sockets BCZ85 Series Explosion-proof Plug and Sockets



- ◆ Explosion protection to
 - CENELEC
 - IEC
 - NEC
- ◆ Can be used in
 - Zone 1 and Zone 2
 - Zone 21 and Zone 22
 - Class I, Zone 1 and Zone 2
 - Class I, Division 1, Groups A, B, C, D
- ◆ Four enclosure types; Four current ratings (16A, 32A, 63A, 125A); 3P, 4P or 5P.
- ◆ Plug can only be pulled out when switch is off; turn on the power after inserting the plug.
- ◆ Copper-free aluminium enclosure, powder coated surface.

■ Catalogue number logic



Zones 1&2; 21&22

Plug and Sockets

BCZ85 Series Explosion-proof Plug and Sockets

Selection table								
Version	Current (A)	Voltage (V)	Number of pole	Schematic diagram	h	Colour	Ordering code	Weight (kg)
 BCZ85-16/□/□	16	100~130	2P+PE		4	Yellow	30147	2.60
		200~250			6	Blue	30148	2.60
		100~130	3P+PE		4	Yellow	30149	2.60
		200~250			9	Blue	30150	2.60
		380~415			6	Red	30151	2.60
		480~500			7	Black	30152	2.60
		600~690			5	Black	30153	2.60
		57/100~75/130			4	Yellow	30154	3.40
		120/208~144/250	3P+N+PE		9	Blue	30155	3.40
		200/346~240/415			6	Red	30156	3.40
		277/480~288/500			7	Black	30157	3.40
		347/600~400/690			5	Black	30158	3.40
 BCZ85-32/□/□	32	200~250	2P+PE		6	Blue	30159	3.40
		200~250	3P+PE		9	Blue	30160	3.40
		380~415			6	Red	30161	3.40
		480~500			7	Black	30162	3.40
		600~690			5	Black	30163	3.40
		120/208~144/250	3P+N+PE		9	Blue	30164	3.40
		200/346~240/415			6	Red	30165	3.40
		277/480~288/500			7	Black	30166	3.40
347/600~400/690		5		Black	30167	3.40		
 BCZ85-63/□/□	63	200~250	3P+PE		9	Blue	30168	4.50
		380~415			6	Red	30169	4.50
		480~500			7	Black	30170	4.50
		600~690			5	Black	30171	4.50
		200/346~240/415	3P+N+PE		6	Red	30172	4.50
		277/480~288/500			7	Black	30173	4.50
 BCZ85-125/□/□	125	200~250	3P+PE		9	Blue	30174	20.0
		380~415			6	Red	30175	20.0
		480~500			7	Black	30176	20.0
		600~690			5	Black	30177	20.0
		200/346~240/415	3P+N+PE		6	Red	30178	20.0
		277/480~288/500			7	Black	30179	20.0



Plug and Sockets BCZ85 Series Explosion-proof Plug and Sockets

Technical data

Explosion-proof plug and sockets **BCZ85-16/□/□**

Explosion protection

Gas explosion protection

⊕ II 2 G Ex d IIC T6 Gb

Dust explosion protection

⊕ II 2 D Ex t IIIC T80°C Db IP66

Certificates

Nemko 12 ATEX 1044; IECEx CQM 12.0015; CU-TR

Conformity to standards

EN 60079-0:2009, EN 60079-1:2007, EN 60079-31:2009
IEC 60079-0:2007, IEC 60079-1:2007, IEC 60079-31:2008

Enclosure material

Copper-free aluminium, powder coated surface

Enclosure colour

Window grey (RAL7040)

Exposed fastener

Stainless steel

Rated voltage

Max. 690V AC

Rated current

16A

Number of pole

3P (2P+PE), 4P (3P+PE), 5P (3P+N+PE)

Degree of protection

IP66, IP67 (optional)

Ambient temperature

-60°C~+55°C

Cable entry of socket

2 x M25 x 1.5(3P/4P), 2 x M32 x 1.5(5P)

Cable entry of plug

1 x M25 x 1.5(3P/4P) , 1 x M32 x 1.5(5P)

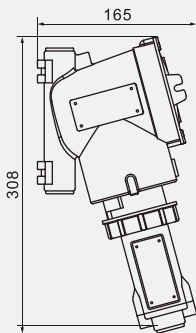
Cable gland (optional)

DQM-II (Ex d) or DQM-III (Ex d) is recommended. Please see P7/20~27.

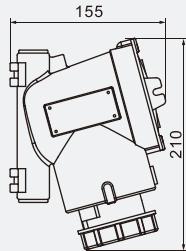
Cross section of cable

2.5~4 mm²

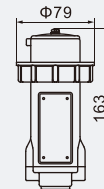
Dimension drawings (all dimensions in mm) - subject to alteration



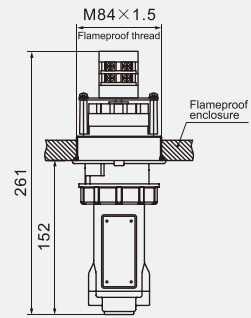
Plug and Sockets



Socket



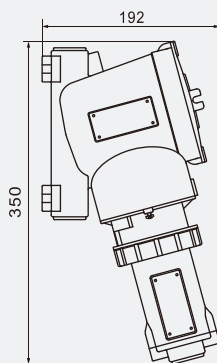
Plug



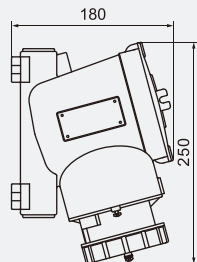
Install on the
flameproof enclosure

BCZ85-16/□/3P

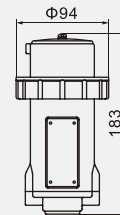
BCZ85-16/□/4P



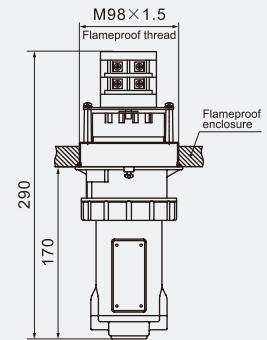
Plug and Sockets



Socket



Plug



Install on the
flameproof enclosure

BCZ85-16/□/5P



Plug and Sockets

BCZ85 Series Explosion-proof Plug and Sockets

Technical data

Explosion-proof plug and sockets **BCZ85-32/□/□**

Explosion protection

Gas explosion protection

⊕ II 2 G Ex d IIC T6 Gb

Dust explosion protection

⊕ II 2 D Ex t IIIC T80°C Db IP66

Certificates

Nemko 12 ATEX 1044; IECEx CQM 12.0015; CU-TR

Conformity to standards

EN 60079-0:2009, EN 60079-1:2007, EN 60079-31:2009
IEC 60079-0:2007, IEC 60079-1:2007, IEC 60079-31:2008

Enclosure material

Copper-free aluminium, powder coated surface

Enclosure colour

Window grey (RAL7040)

Exposed fastener

Stainless steel

Rated voltage

Max. 690V AC

Rated current

32A

Number of pole

3P (2P+PE), 4P (3P+PE), 5P (3P+N+PE)

Degree of protection

IP66, IP67 (optional)

Ambient temperature

-60°C~+55°C

Cable entry of socket

2 x M32 x 1.5

Cable entry of plug

1 x M32 x 1.5

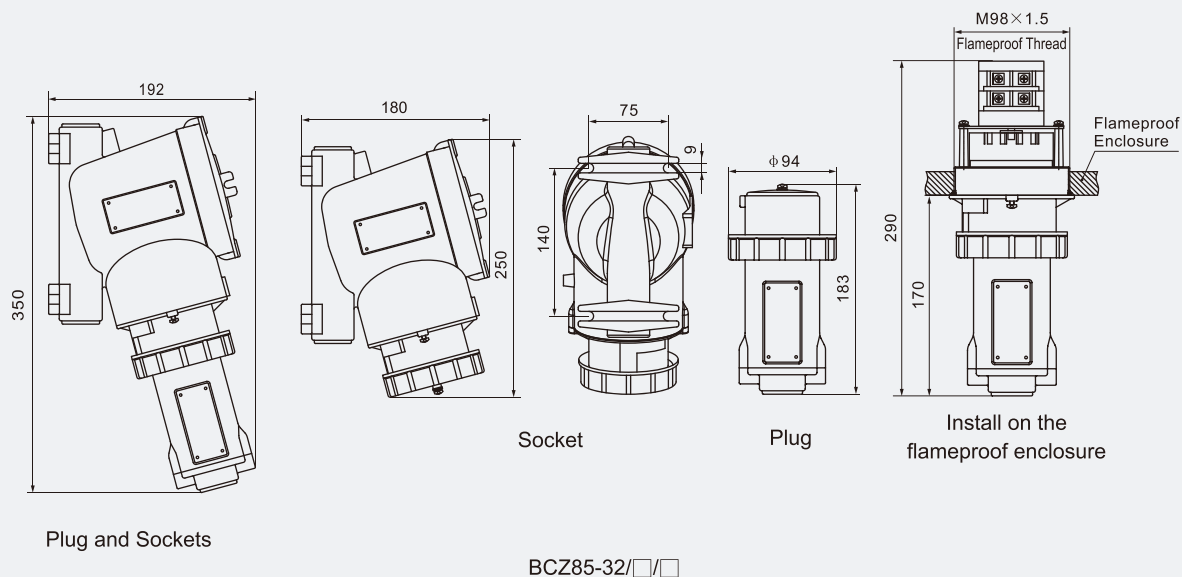
Cable gland (optional)

DQM-II (Ex d) or DQM-III (Ex d) is recommended. Please see P7/20~27.

Cross section of cable

4~6 mm²

Dimension drawings (all dimensions in mm) - subject to alteration



Plug and Sockets

BCZ85 Series Explosion-proof Plug and Sockets

Technical data

Explosion-proof plug and sockets BCZ85-63/□/□

Explosion protection

Gas explosion protection

⊕ II 2 G Ex d IIC T6 Gb

Dust explosion protection

⊕ II 2 D Ex t IIIC T80°C Db IP66

Certificates

Nemko 12 ATEX 1247; IECEX CQM 12.0043X; CU-TR

Conformity to standards

EN 60079-0:2009, EN 60079-1:2007, EN 60079-31:2009
IEC 60079-0:2007, IEC 60079-1:2007, IEC 60079-31:2008

Enclosure material

Copper-free aluminium, powder coated surface

Enclosure colour

Window grey (RAL7040)

Exposed fastener

Stainless steel

Rated voltage

Max. 690V AC

Rated current

63A

Number of pole

4P (3P+PE), 5P (3P+N+PE)

Degree of protection

IP66, IP67 (optional)

Ambient temperature

-60°C~+55°C

Cable entry of socket

2 x M40 x 1.5

Cable entry of plug

1 x M50 x 1.5

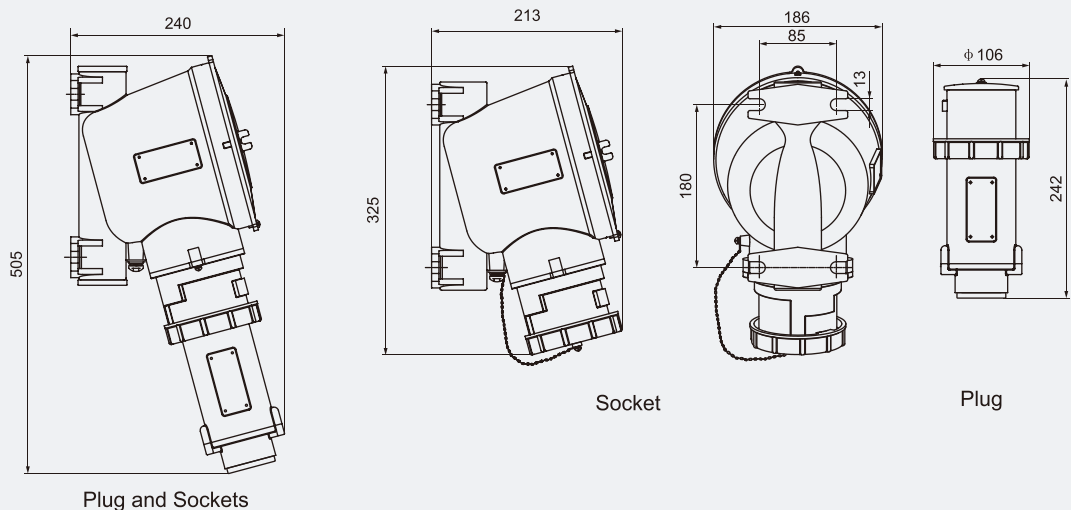
Cable gland (optional)

DQM-II (Ex d) or DQM-III (Ex d) is recommended. Please see P7/20~27.

Cross section of cable

10~16 mm²

Dimension drawings (all dimensions in mm) - subject to alteration



BCZ85-63/□/□

Plug and Sockets

BCZ85 Series Explosion-proof Plug and Sockets

Technical data

Explosion-proof plug and sockets BCZ85-125/□/□

Explosion protection

Gas explosion protection

⊕ II 2 G Ex d IIC T6 Gb

Dust explosion protection

⊕ II 2 D Ex t IIIC T80°C Db IP66

Certificates

Nemko 13 ATEX 1531; IECEX CQM 13.0033X; CU-TR

Conformity to standards

EN 60079-0:2009, EN 60079-1:2007, EN 60079-31:2009

IEC 60079-0:2007, IEC 60079-1:2007, IEC 60079-31:2008

Enclosure material

Copper-free aluminium, powder coated surface

Enclosure colour

Window grey (RAL7040)

Exposed fastener

Stainless steel

Rated voltage

Max. 690V AC

Rated current

125A

Number of pole

4P (3P+PE), 5P (3P+N+PE)

Degree of protection

IP66, IP67 (optional)

Ambient temperature

-60°C~+55°C

Cable entry of socket

1 x M63 x 1.5

Cable entry of plug

1 x M50 x 1.5

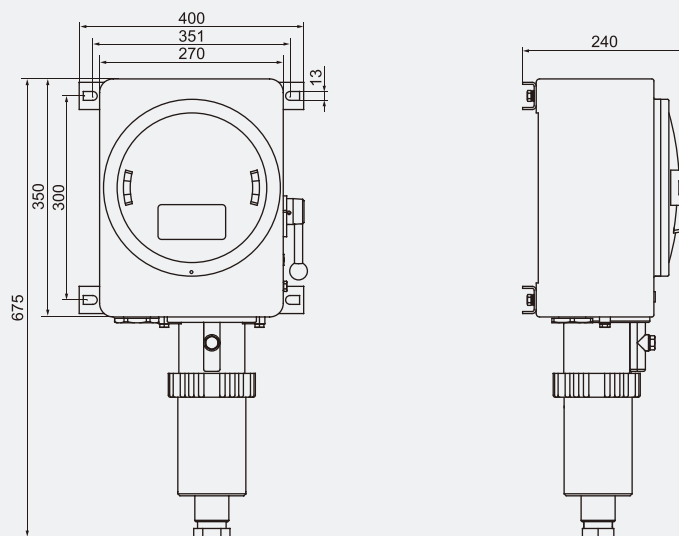
Cable gland (optional)

DQM-II (Ex d) or DQM-III (Ex d) is recommended. Please see P7/20~27.

Cross section of cable

25~35 mm²

Dimension drawings (all dimensions in mm) - subject to alteration



BCZ85-125/□/□

