

## Features

- Compact Metal Case with Excellent Thermal Performance
- Full Power at Wide Output Current Range (Constant Power)
- Adjustable Output Current (AOC) with Programmability
- Isolated 1-5V/1-10V/10V PWM/3-Timer-Modes Dimmable
- Output Lumen Compensation
- Input Surge Protection: DM 6kV, CM 10kV
- All-Around Protection: OVP, SCP, OTP
- IP66/IP67 and UL Dry/Damp/Wet Location
- SELV Output
- TYPE HL, for Use in a Class I, Division 2 Hazardous (Classified) Location
- 5 Years Warranty



## Description

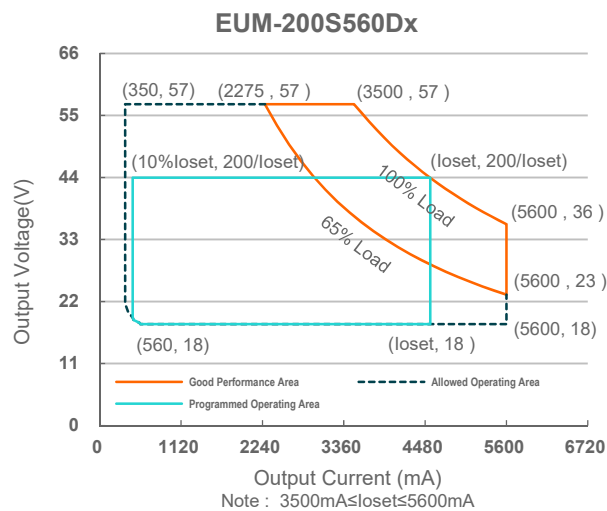
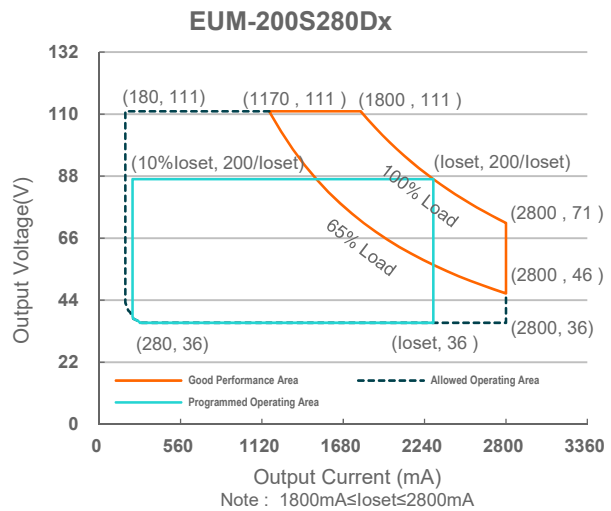
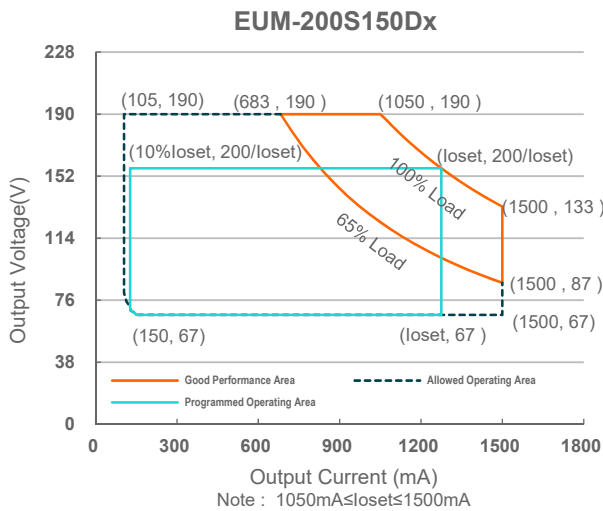
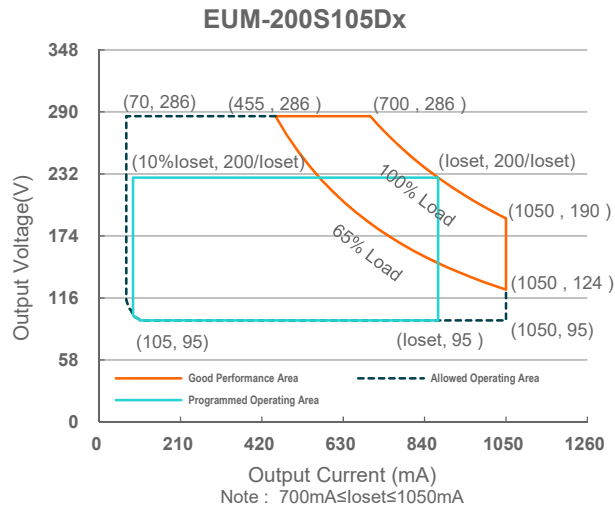
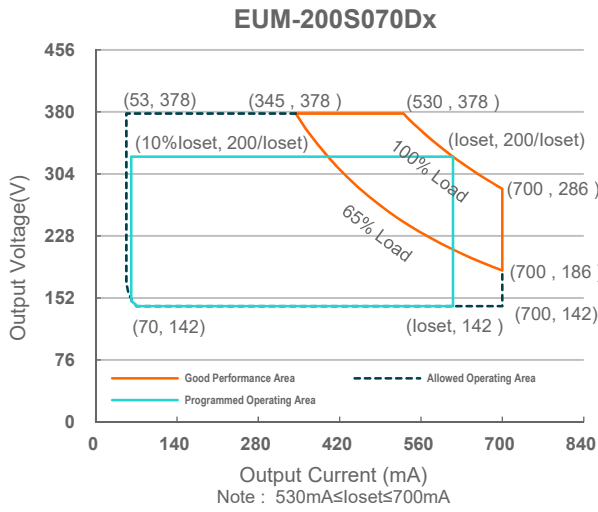
The *EUM-200SxxxDx* series is a 200W, constant-current, programmable IP67 LED driver that operates from 90-305Vac input with excellent power factor. It is created for many lighting applications including high bay, high mast and roadway, etc. The high efficiency of these drivers and compact metal case enables them to run cooler, significantly improving reliability and extending product life. To ensure trouble-free operation, protection is provided against input surge, output over voltage, short circuit, and over temperature.

## Models

Adjustable Output Current Range(mA)	Full-Power Current Range(mA) <sup>(1)</sup>	Default Output Current(mA)	Output Voltage Range(Vdc)	Max. Output Power(W)	Typical Efficiency <sup>(2)</sup>	Typical Power Factor		Model Number <sup>(3)(4)(5)</sup>
						120Vac	220Vac	
53-700	530-700	530	142-378	200	94.0%	0.99	0.96	EUM-200S070Dx <sup>(6)</sup>
70-1050	700-1050	700	95-286	200	93.5%	0.99	0.96	EUM-200S105Dx
105-1500	1050-1500	1050	67-190	200	93.0%	0.99	0.96	EUM-200S150Dx
180-2800	1800-2800	2100	36-111	200	92.5%	0.99	0.96	EUM-200S280Dx <sup>(7)</sup>
350-5600	3500-5600	4200	18-57	200	92.0%	0.99	0.96	EUM-200S560Dx <sup>(7)</sup>

- Notes:** (1) Output current range with constant power at 200W.  
 (2) Measured at 100% load and 220Vac input (see below "General Specifications" for details).  
 (3) Certified input voltage range: UL, FCC 100-277Vac; otherwise 100-240Vac.  
 (4) x = G are UL Recognized, ENEC and CCC, etc. models; x = T are UL Class P models; x = B are BIS models.  
 (5) All the models are certificated to KS, except EUM-200S070Dx and EUM-200S105Dx.  
 (6) Only available with x = G, and only with ENEC, CE, CB and CCC certificates.  
 (7) SELV output.

## I-V Operation Area



## Input Specifications

Parameter	Min.	Typ.	Max.	Notes
Input AC Voltage	90 Vac	-	305 Vac	
Input DC Voltage	127 Vdc	-	300 Vdc	
Input Frequency	47 Hz	-	63 Hz	
Leakage Current	-	-	0.75 MIU	UL 8750; 277Vac/60Hz
	-	-	0.70 mA	IEC 60598-1; 240Vac/60Hz
Input AC Current	-	-	2.00 A	Measured at 100% load and 120 Vac input.
	-	-	1.05 A	Measured at 100% load and 220 Vac input.
Inrush Current(I <sup>2</sup> t)	-	-	4.20 A <sup>2</sup> s	At 220Vac input, 25°C cold start, duration=848 μs, 10%I <sub>pk</sub> -10%I <sub>pk</sub> .
PF	0.9	-	-	At 100-277Vac, 50-60Hz, 65%-100% Load (130-200W)
THD	-	-	20%	
THD	-	-	10%	At 220-240Vac, 50-60Hz, 75%-100% Load (150-200W)

## Output Specifications

Parameter	Min.	Typ.	Max.	Notes
Output Current Tolerance	-5%loset	-	5%loset	At 100% load condition
Output Current Setting(loset) Range				
EUM-200S070Dx	53 mA	-	700 mA	
EUM-200S105Dx	70 mA	-	1050 mA	
EUM-200S150Dx	105 mA	-	1500 mA	
EUM-200S280Dx	180 mA	-	2800 mA	
EUM-200S560Dx	350 mA	-	5600 mA	
Output Current Setting Range with Constant Power				
EUM-200S070Dx	530 mA	-	700 mA	
EUM-200S105Dx	700 mA	-	1050 mA	
EUM-200S150Dx	1050 mA	-	1500 mA	
EUM-200S280Dx	1800 mA	-	2800 mA	
EUM-200S560Dx	3500 mA	-	5600 mA	
Total Output Current Ripple (pk-pk)	-	5%I <sub>omax</sub>	10%I <sub>omax</sub>	At 100% load condition. 20 MHz BW
Output Current Ripple at < 200 Hz (pk-pk)	-	2%I <sub>omax</sub>	-	At 100% load condition. Only this component of ripple is associated with visible flicker.
Startup Overshoot Current	-	-	10%I <sub>omax</sub>	At 100% load condition
No Load Output Voltage				
EUM-200S070Dx	-	-	420 V	
EUM-200S105Dx	-	-	320 V	
EUM-200S150Dx	-	-	210 V	
EUM-200S280Dx	-	-	120 V	
EUM-200S560Dx	-	-	65 V	

## Output Specifications (Continued)

Parameter	Min.	Typ.	Max.	Notes
Line Regulation	-	-	±0.5%	Measured at 100% load
Load Regulation	-	-	±1.5%	
Turn-on Delay Time	-	-	0.5 s	Measured at 120-277Vac input, 65%-100% Load
Temperature Coefficient of I <sub>o</sub> set	-	0.03%/°C	-	Case temperature = 0°C ~T <sub>c</sub> max

## General Specifications

Parameter	Min.	Typ.	Max.	Notes
Efficiency at 120 Vac input:				
EUM-200S070Dx				
I <sub>o</sub> = 530 mA	89.0%	91.0%	-	
I <sub>o</sub> = 700 mA	89.5%	91.5%	-	
EUM-200S105Dx				
I <sub>o</sub> = 700 mA	88.5%	90.5%	-	
I <sub>o</sub> =1050 mA	89.0%	91.0%	-	Measured at 100% load and steady-state temperature in 25°C ambient; (Efficiency will be about 2.0% lower if measured immediately after startup.)
EUM-200S150Dx				
I <sub>o</sub> =1050 mA	88.5%	90.5%	-	
I <sub>o</sub> =1500 mA	88.5%	90.5%	-	
EUM-200S280Dx				
I <sub>o</sub> =1800 mA	87.0%	89.0%	-	
I <sub>o</sub> =2800 mA	87.0%	89.0%	-	
EUM-200S560Dx				
I <sub>o</sub> =3500 mA	87.5%	89.5%	-	
I <sub>o</sub> =5600 mA	87.0%	89.0%	-	
Efficiency at 220 Vac input:				
EUM-200S070Dx				
I <sub>o</sub> = 530 mA	92.0%	94.0%	-	
I <sub>o</sub> = 700 mA	92.0%	94.0%	-	
EUM-200S105Dx				
I <sub>o</sub> = 700 mA	91.5%	93.5%	-	Measured at 100% load and steady-state temperature in 25°C ambient; (Efficiency will be about 2.0% lower if measured immediately after startup.)
I <sub>o</sub> =1050 mA	91.5%	93.5%	-	
EUM-200S150Dx				
I <sub>o</sub> =1050 mA	91.0%	93.0%	-	
I <sub>o</sub> =1500 mA	91.0%	93.0%	-	
EUM-200S280Dx				
I <sub>o</sub> =1800 mA	90.5%	92.5%	-	
I <sub>o</sub> =2800 mA	90.0%	92.0%	-	
EUM-200S560Dx				
I <sub>o</sub> =3500 mA	90.0%	92.0%	-	
I <sub>o</sub> =5600 mA	89.5%	91.5%	-	

## General Specifications (Continued)

Parameter	Min.	Typ.	Max.	Notes	
Efficiency at 277 Vac input: EUM-200S070Dx I <sub>o</sub> = 530 mA I <sub>o</sub> = 700 mA EUM-200S105Dx I <sub>o</sub> = 700 mA I <sub>o</sub> =1050 mA EUM-200S150Dx I <sub>o</sub> =1050 mA I <sub>o</sub> =1500 mA EUM-200S280Dx I <sub>o</sub> =1800 mA I <sub>o</sub> =2800 mA EUM-200S560Dx I <sub>o</sub> =3500 mA I <sub>o</sub> =5600 mA	92.0% 92.5%	94.0% 94.5%	- -	Measured at 100% load and steady-state temperature in 25°C ambient; (Efficiency will be about 2.0% lower if measured immediately after startup.)	
MTBF	-	267,000 Hours	-		
Lifetime	-	100,000 Hours	-		
Operating Case Temperature for Safety T <sub>c_s</sub>	-40°C	-	+90°C		
Operating Case Temperature for Warranty T <sub>c_w</sub>	-40°C	-	+80°C		
Storage Temperature	-40°C	-	+85°C		
Dimensions Inches (L × W × H) Millimeters (L × W × H)	6.73 × 2.36 × 1.44 171 × 60 × 36.5				With mounting ear 7.40 × 2.36 × 1.44 188 × 60 × 36.5
Net Weight	-	780 g	-		

## Dimming Specifications

Parameter	Min.	Typ.	Max.	Notes	
Absolute Maximum Voltage on the V <sub>dim</sub> (+) Pin	-20 V	-	20 V		
Source Current on V <sub>dim</sub> (+)Pin	200 μA	300 μA	450 μA	V <sub>dim</sub> (+) = 0 V	
Dimming Output Range	EUM-200S070Dx EUM-200S105Dx EUM-200S150Dx EUM-200S280Dx EUM-200S560Dx	10%I <sub>o</sub> set	-	I <sub>o</sub> set	530 mA ≤ I <sub>o</sub> set ≤ 700 mA 700 mA ≤ I <sub>o</sub> set ≤ 1050 mA 1050 mA ≤ I <sub>o</sub> set ≤ 1500 mA 1800 mA ≤ I <sub>o</sub> set ≤ 2800 mA 3500 mA ≤ I <sub>o</sub> set ≤ 5600 mA
	EUM-200S070Dx EUM-200S105Dx EUM-200S150Dx EUM-200S280Dx EUM-200S560Dx	53 mA 70 mA 105 mA 180 mA 350 mA	-	I <sub>o</sub> set	53 mA ≤ I <sub>o</sub> set < 530 mA 70 mA ≤ I <sub>o</sub> set < 700 mA 105 mA ≤ I <sub>o</sub> set < 1050 mA 180 mA ≤ I <sub>o</sub> set < 1800 mA 350 mA ≤ I <sub>o</sub> set < 3500 mA
Recommended Dimming Range for 1-5V	0.25 V	-	4.75 V	Dimming mode set to 1-5V in PC interface.	
Recommended Dimming Range for 1-10V	1 V	-	9 V	Default 1-10V dimming mode with positive logic.	

## Dimming Specifications (Continued)

Parameter	Min.	Typ.	Max.	Notes
PWM_in High Level	-	10V	-	
PWM_in Low Level	-	0V	-	
PWM_in Frequency Range	200 Hz	-	2 KHz	
PWM_in Duty Cycle	0%	-	100%	

## Safety & EMC Compliance

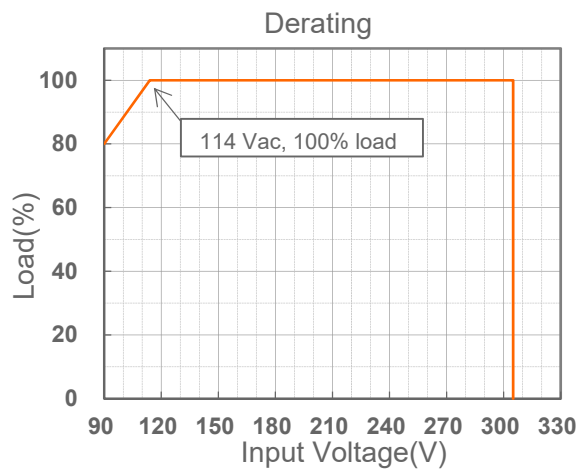
Safety Category	Standard
UL/CUL	UL 8750,CAN/CSA-C22.2 No. 250.13
ENEC & CE	EN 61347-1, EN 61347-2-13
CB	IEC 61347-1, IEC 61347-2-13
CCC	GB 19510.1, GB 19510.14
PSE	J 61347-1, J 61347-2-13
KS	KS C 7655
BIS	IS 15885(Part2/Sec13)
EAC	TP TC 004, TP TC 020
NOM	NOM-058-SCFI
SAA	AS/NZS 61347.1, AS/NZS 61347.2.13
Performance	Standard
ENEC	EN IEC 62384
EMI Standards	Notes
EN IEC 55015/GB/T 17743/KS C 9815 <sup>(1)</sup>	Conducted emission Test & Radiated emission Test
EN IEC 61000-3-2/GB 17625.1	Harmonic current emissions
EN 61000-3-3	Voltage fluctuations & flicker
FCC Part 15 <sup>(1)</sup>	ANSI C63.4 Class B
	This device complies with Part 15 of the FCC Rules. Operation is subject to the following two conditions: [1] this device may not cause harmful interference, and [2] this device must accept any interference received, including interference that may cause undesired Operation.
EMS Standards	Notes
EN 61000-4-2	Electrostatic Discharge (ESD): 8 kV air discharge, 4 kV contact discharge
EN 61000-4-3	Radio-Frequency Electromagnetic Field Susceptibility Test-RS
EN 61000-4-4	Electrical Fast Transient / Burst-EFT

## Safety & EMC Compliance (Continued)

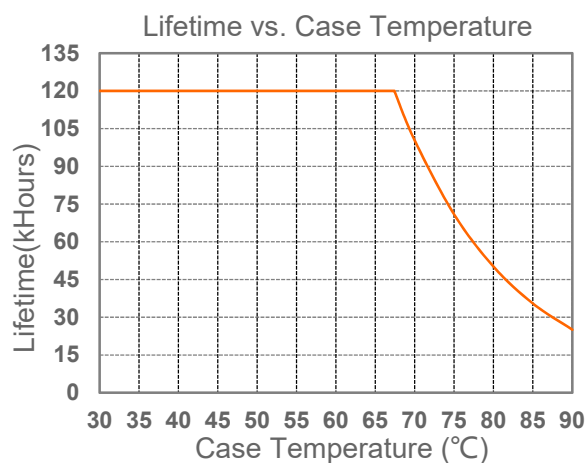
EMS Standards	Notes
EN 61000-4-5	Surge Immunity Test: AC Power Line: Differential Mode 6 kV, Common Mode 10 kV
EN 61000-4-6	Conducted Radio Frequency Disturbances Test-CS
EN 61000-4-8	Power Frequency Magnetic Field Test
EN 61000-4-11	Voltage Dips
EN 61547/KS C 9547	Electromagnetic Immunity Requirements Applies To Lighting Equipment

**Note:** (1) This LED driver meets the EMI specifications above, but EMI performance of a luminaire that contains it depends also on the other devices connected to the driver and on the fixture itself.

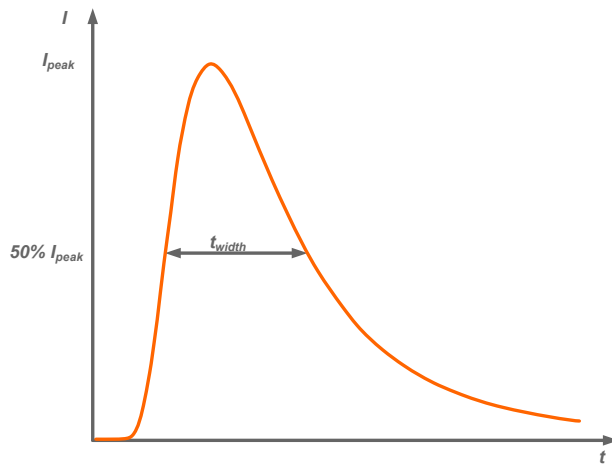
## Derating



## Lifetime vs. Case Temperature



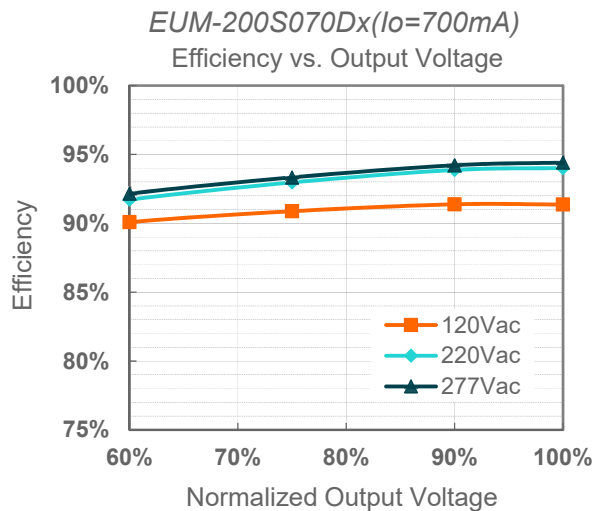
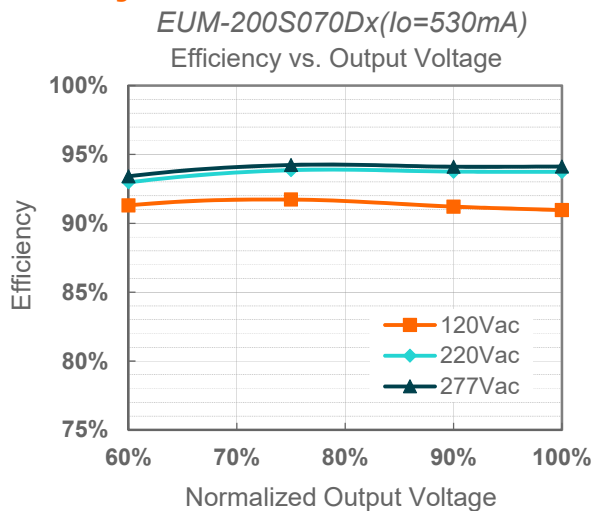
## Inrush Current Waveform



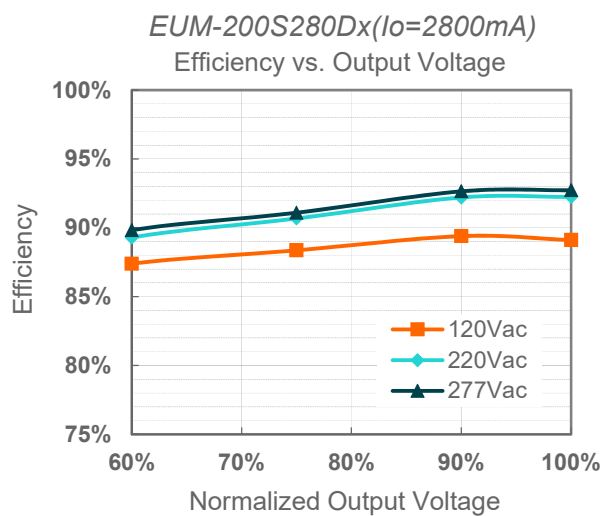
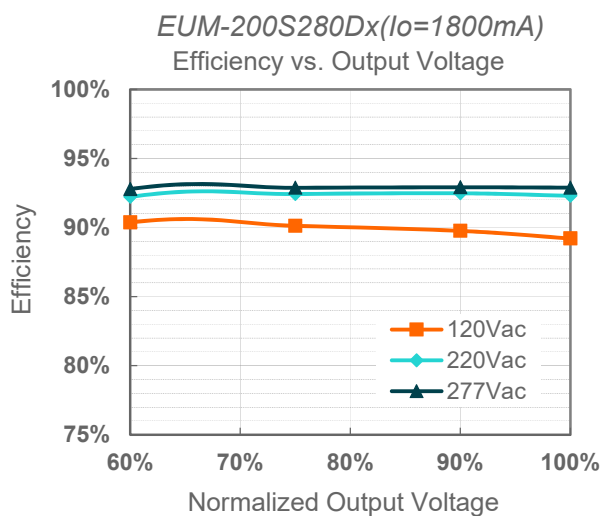
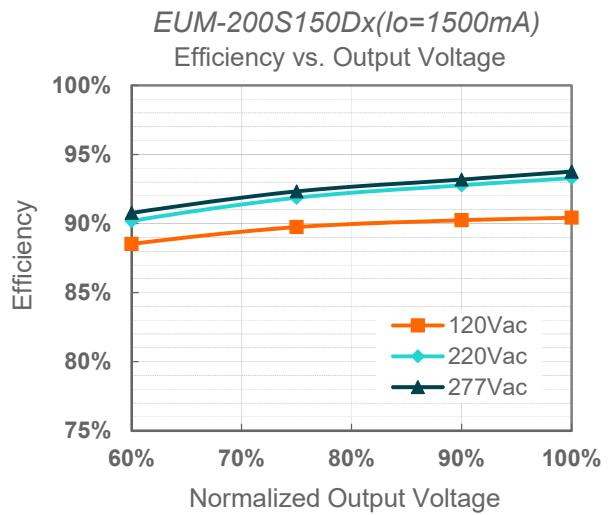
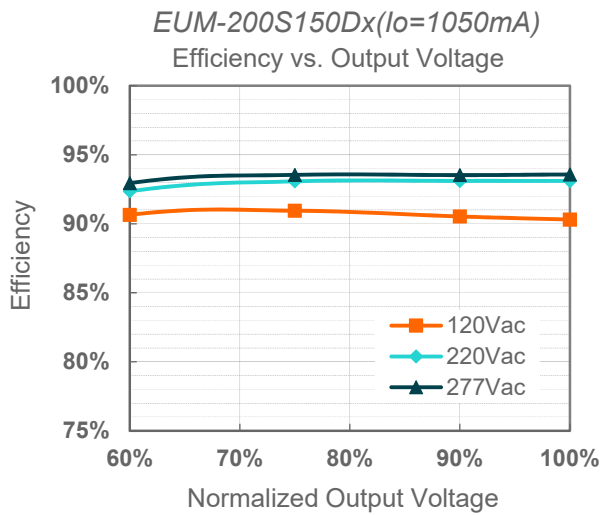
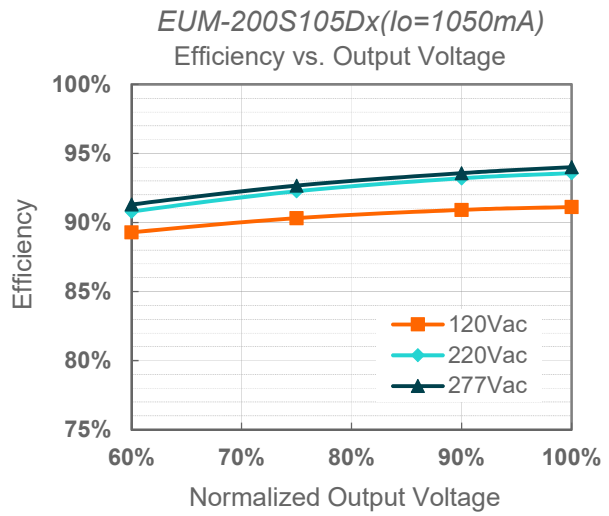
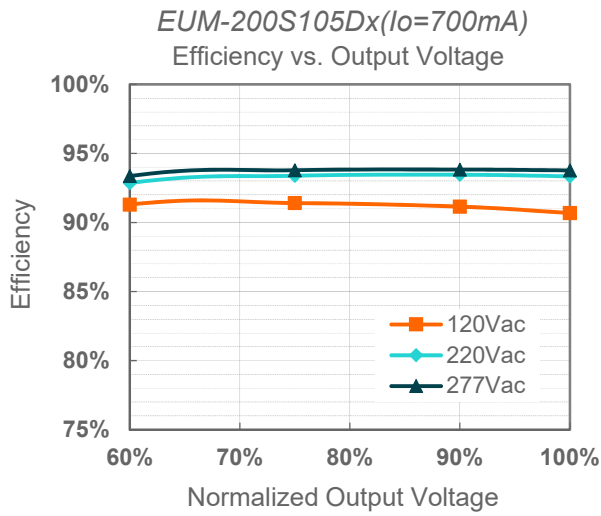
Input AC Voltage	$I_{peak}$	$t_{width}$ (@ 50% $I_{peak}$ )
120Vac	40.4A	352 $\mu$ s
220Vac	81.5A	336 $\mu$ s
277Vac	106A	328 $\mu$ s

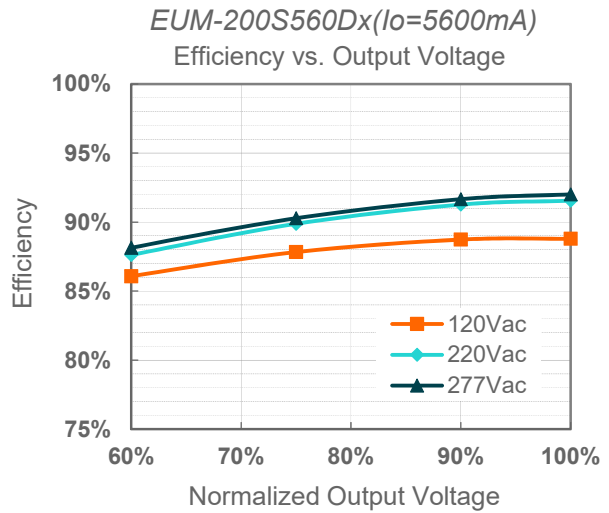
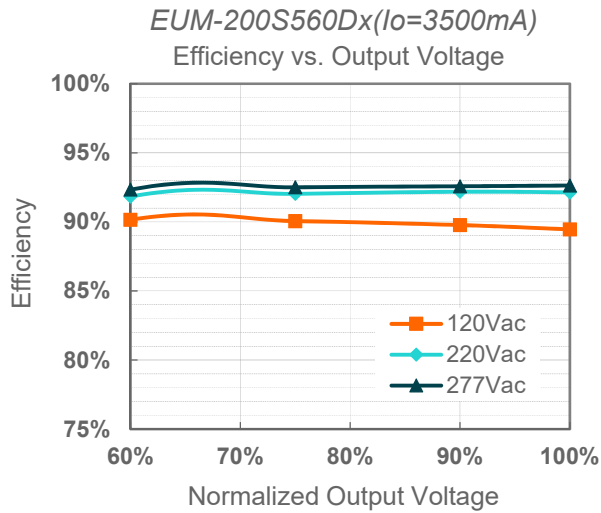
MCB	Tripping Curves	B	B	B	B	C	C	C	C
	Rated Current	10A	16A	20A	25A	10A	16A	20A	25A
The Number of LED Driver can be Configured	120	3	5	6	8	3	6	7	9
	220	2	4	5	7	4	7	9	12
	277	2	3	4	5	3	5	7	9

## Efficiency vs. Load

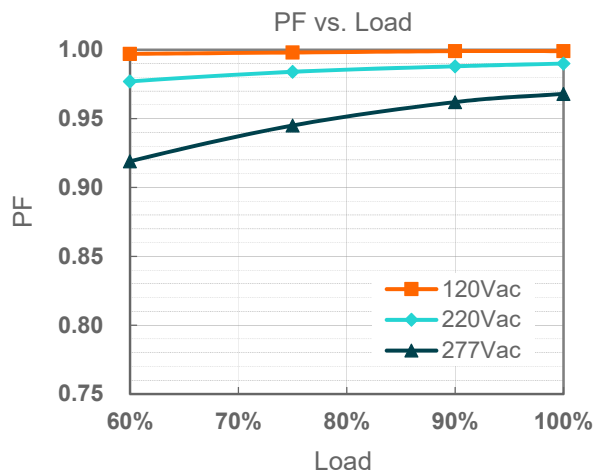




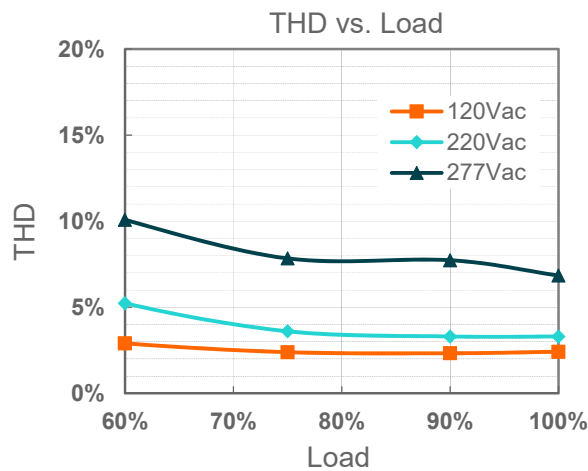




## Power Factor



## Total Harmonic Distortion



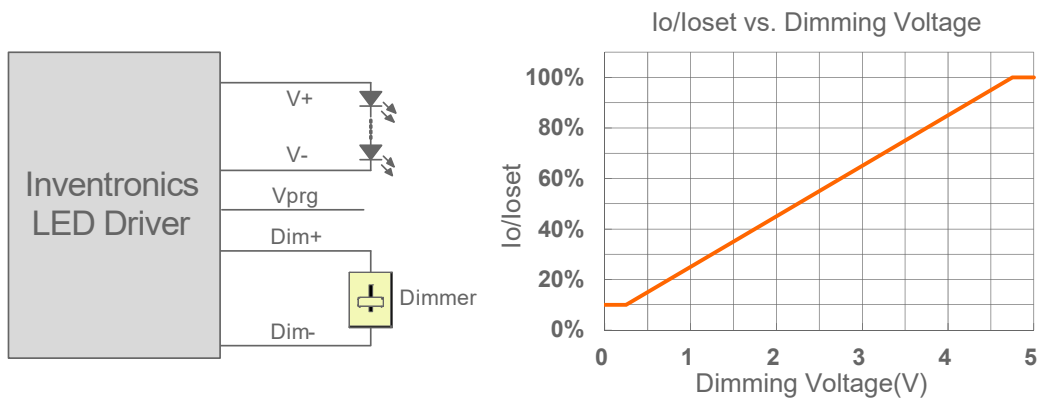
## Protection Functions

Parameter	Notes
Over Temperature Protection	Decreases output current, returning to normal after over temperature is removed.
Short Circuit Protection	Auto Recovery. No damage will occur when any output is short circuited. The output shall return to normal when the fault condition is removed.
Over Voltage Protection	Limits output voltage at no load and in case the normal voltage limit fails.

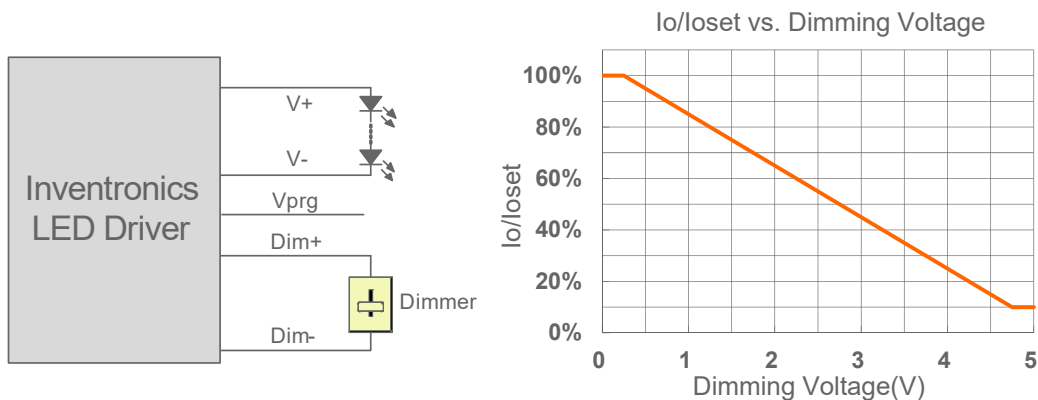
## Dimming

### ● 1-5V Dimming

The recommended implementation of the dimming control is provided below.



**Implementation 1: Positive logic**



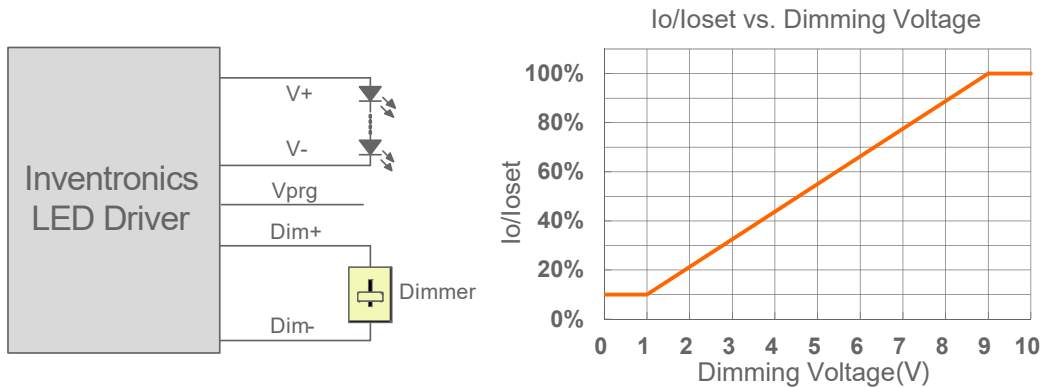
**Implementation 2: Negative logic**

#### Notes:

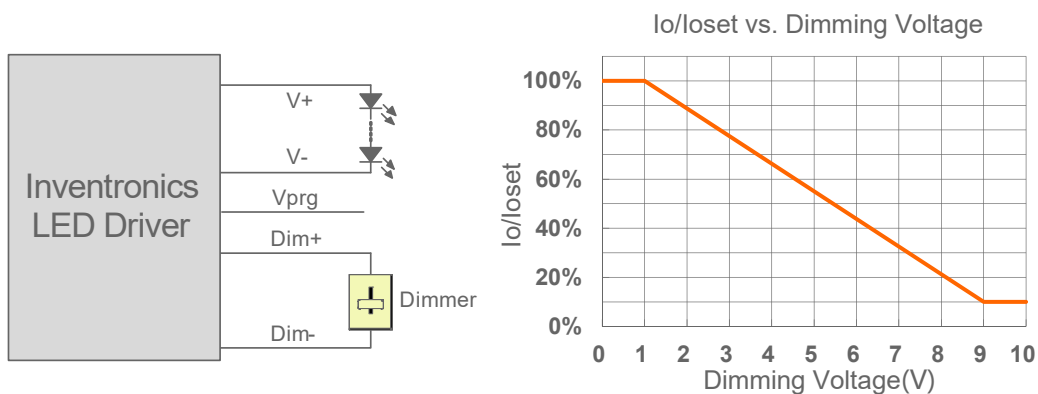
1. Do NOT connect Dim- to the output V- or V+, otherwise the driver will not work properly.
2. The dimmer can also be replaced by an active 1-5V voltage source signal or passive components like zener.
3. When 1-5V negative logic dimming mode and Dim+ is open, the driver will output maximum current.

### ● 1-10V Dimming

The recommended implementation of the dimming control is provided below.



**Implementation 3: Positive logic**



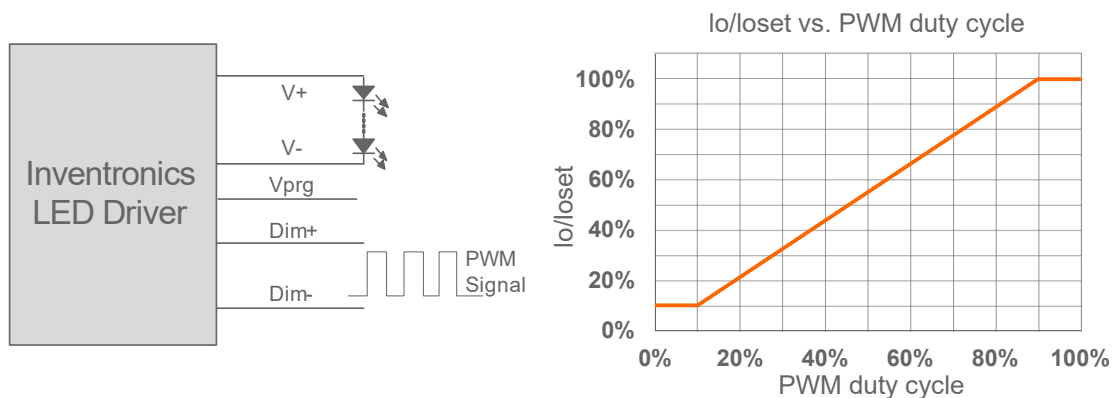
**Implementation 4: Negative logic**

**Notes:**

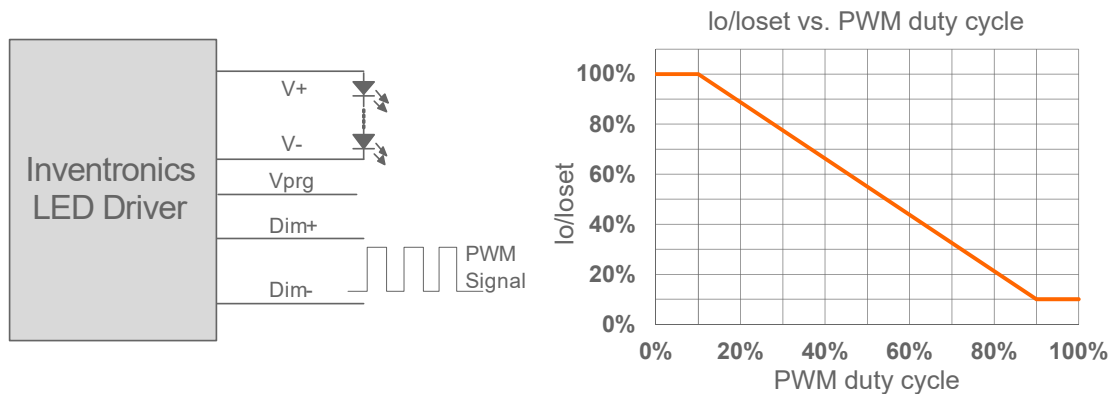
1. Do NOT connect Dim- to the output V- or V+, otherwise the driver will not work properly.
2. The dimmer can also be replaced by an active 1-10V voltage source signal or passive components like zener.
3. When 1-10V negative logic dimming mode and Dim+ is open, the driver will output minimum current.

● **10V PWM Dimming**

The recommended implementation of the dimming control is provided below.



**Implementation 5: Positive logic**



Implementation 6: Negative logic

**Notes:**

1. Do NOT connect Dim- to the output V- or V+, otherwise the driver will not work properly.
2. When 10V PWM negative logic dimming mode and Dim+ is open, the driver will output minimum current.

● **Time Dimming**

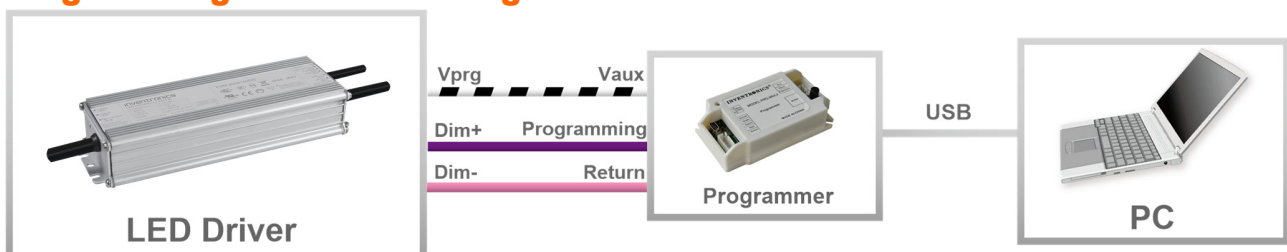
Time dimming control includes 3 kinds of modes, they are Self Adapting-Midnight, Self Adapting-Percentage and Traditional Timer.

- **Self Adapting-Midnight:** Automatically adjusts the dimming curve based on the on-time of past two days (if difference <15 minutes), assuming that the center point of the dimming curve is midnight local time.
- **Self Adapting-Percentage:** Automatically adjusts the on-time of each step by a constant percentage = (actual on-time for the past 2 days if difference <15 min) / (programmed on-time from the dimming curve).
- **Traditional Timer:** Follows the programmed timing curve after power on with no changes.

● **Output Lumen Compensation**

Output Lumen Compensation (OLC) may be used to maintain constant light output over the life of the LEDs by driving them at a reduced current when new, then gradually increasing the drive current over time to counteract LED lumen degradation.

**Programming Connection Diagram**



**Note:** The driver does not need to be powered on during the programming process.

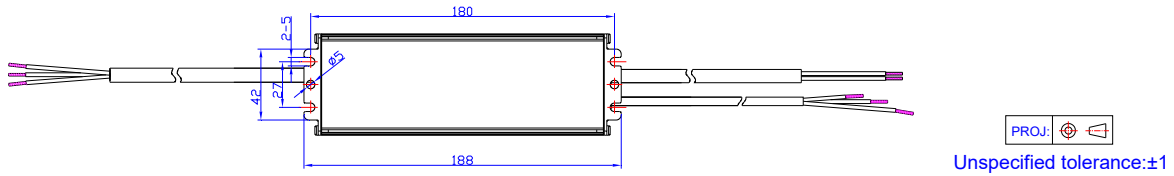
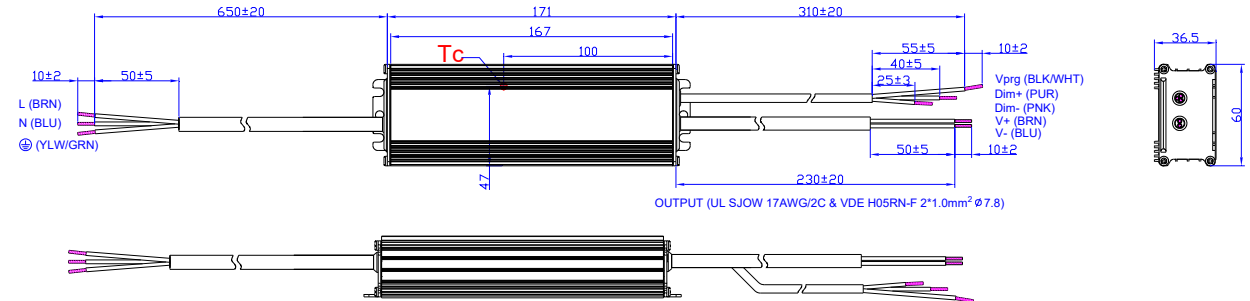
- Please refer to [PRG-MUL2](#) (Programmer) datasheet for details.

## Mechanical Outline

### EUM-200S070/105/150DG

INPUT (UL SJOW 17AWG/3C & VDE H05RN-F 3\*1.0mm<sup>2</sup> Ø8.3)

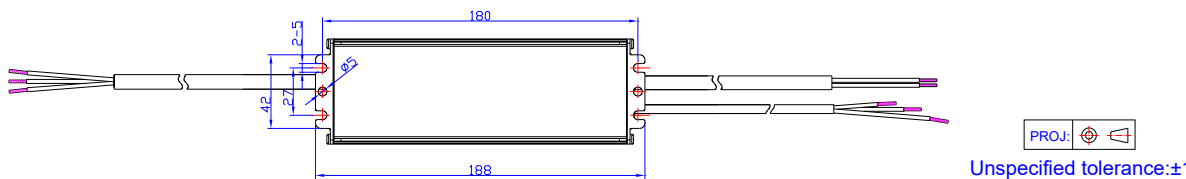
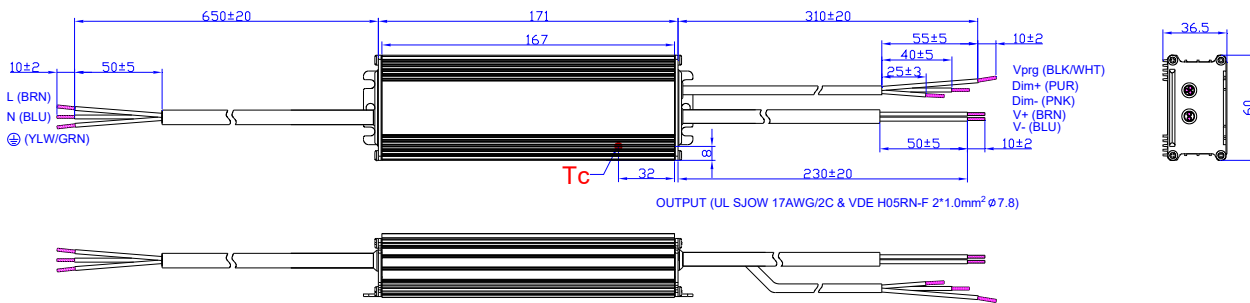
DIMMING WIRE (UL21996 22AWG/3C Ø5.0)



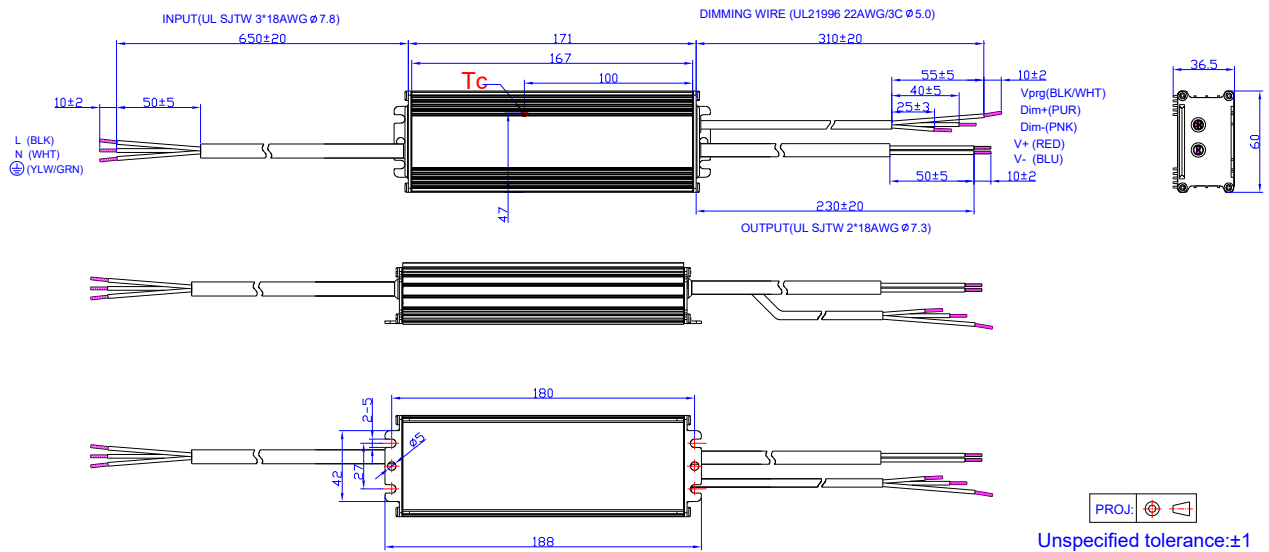
### EUM-200S280/560DG

INPUT (UL SJOW 17AWG/3C & VDE H05RN-F 3\*1.0mm<sup>2</sup> Ø8.3)

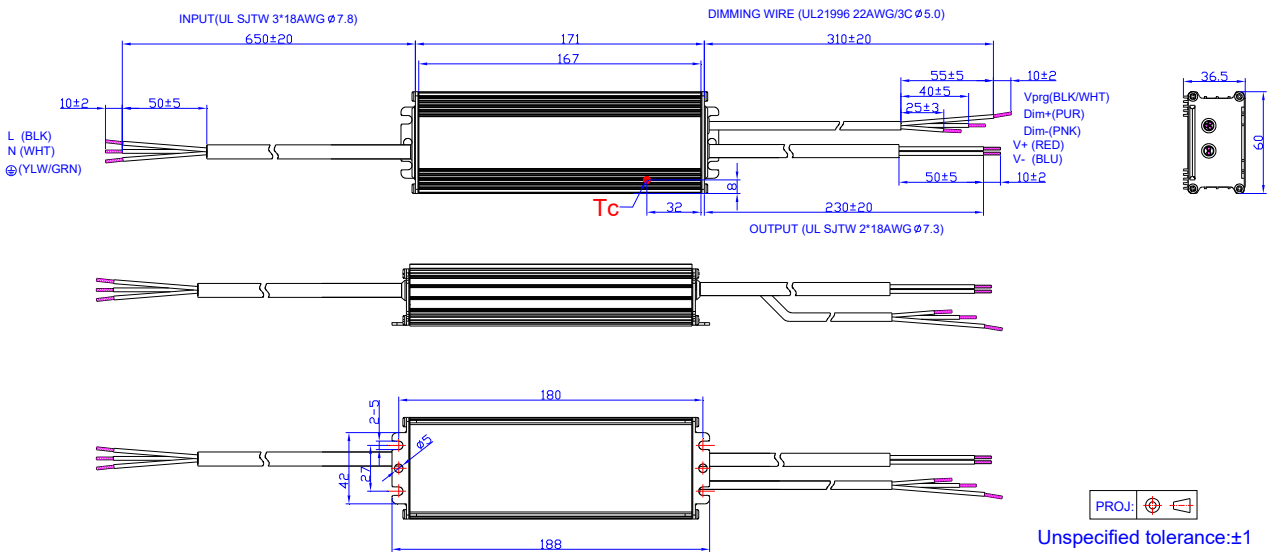
DIMMING WIRE (UL21996 22AWG/3C Ø5.0)



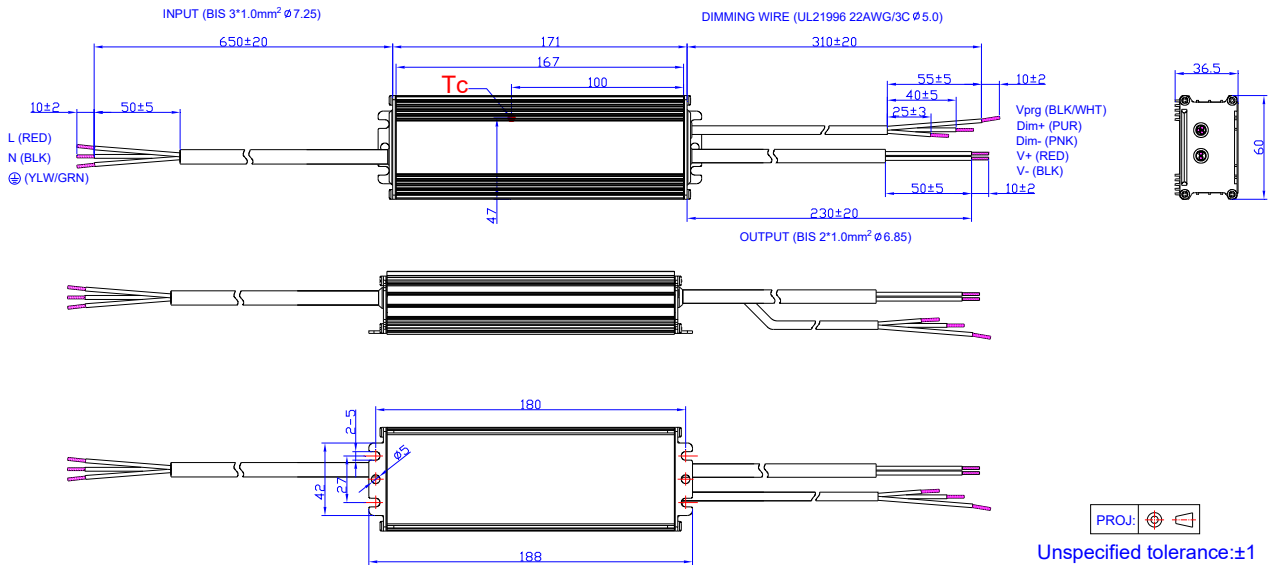
## EUM-200S105/150DT



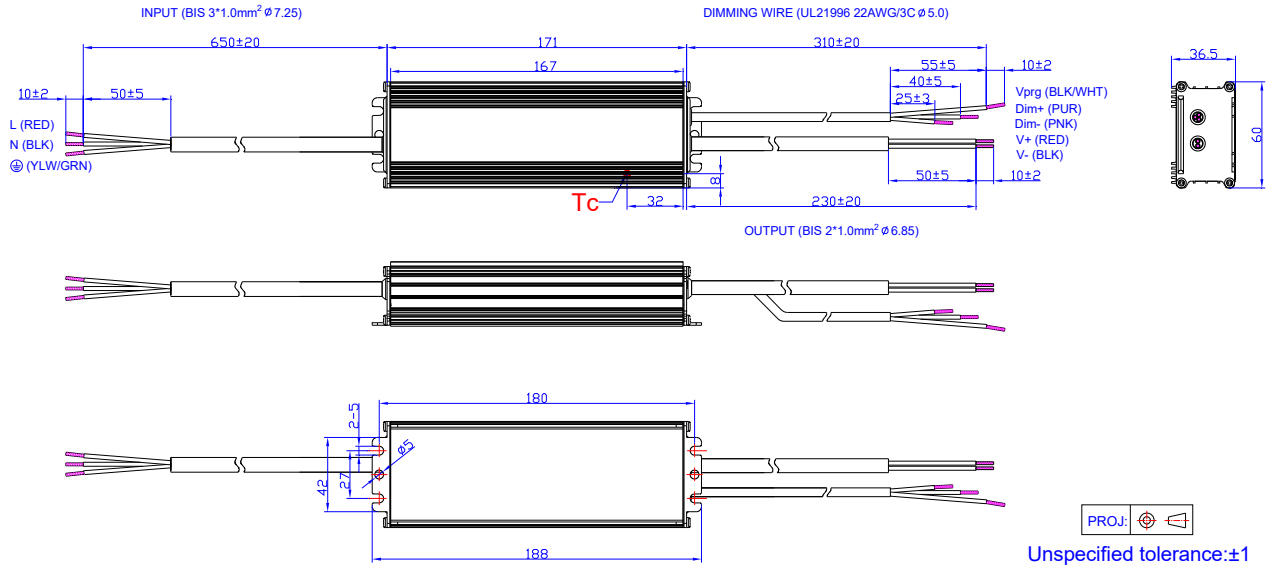
## EUM-200S280/560DT



## EUM-200S105/150DB



## EUM-200S280/560DB



## RoHS Compliance

Our products comply with reference to RoHS Directive (EU) 2015/863 amending 2011/65/EU, calling for the elimination of lead and other hazardous substances from electronic products.



## Revision History

Change Date	Rev.	Description of Change		
		Item	From	To
2021-03-09	A	Datasheets Release	/	/
2021-09-23	B	Models	EUM-200S070Dx	Added
		Models	Notes(6)、(7)	Added
		I-V Operation Area	EUM-200S070Dx	Added
		Output Current Setting(loset) Range	EUM-200S070Dx	Added
		Output Current Setting Range with Constant Power	EUM-200S070Dx	Added
		No Load Output Voltage	EUM-200S070Dx	Added
		Efficiency at 120 Vac input:	EUM-200S070Dx	Added
		Efficiency at 220 Vac input:	EUM-200S070Dx	Added
		Efficiency at 277 Vac input:	EUM-200S070Dx	Added
		Dimming Output Range	EUM-200S070Dx	Added
		Efficiency vs. Load	EUM-200S070Dx	Added
Mechanical Outline	EUM-200S070DG	Added		
2021-12-24	C	UKCA logo	/	Added
		General Specifications	Net Weight	Updated
		Safety &EMC Compliance	UKCA	Added
		Dimming Output Range	Note	Updated
		Programming Connection Diagram	EUM-200SxxxDT	Updated
		Mechanical Outline	/	Updated
2023-06-19	D	Product Photograph	/	Updated
		SAA	/	Added
		I-V Operation Area	/	Updated
		Safety &EMC Compliance	/	Updated
		Dimming	/	Updated
		Programming Connection Diagram	/	Updated
		Mechanical Outline	/	Updated

## Revision History (Continued)

Change Date	Rev.	Description of Change		
		Item	From	To
2024-03-20	E	Format	/	Updated
		Product Photograph	/	Updated
		UKCA logo	/	Deleted
		Safety & EMC Compliance	/	Updated
		Inrush Current Waveform	/	Updated