

Secondary Telephone Alarm and Signal Unit TWIN EExII

Explosion-proof optical and acoustic call signalling



Overview

The TWIN-EExII is specially designed for application in potentially explosive indoor or outdoor industrial areas. It offers two different operating modes that can be selected using the sliding switch:

As secondary telephone alarm the TWIN EExII is used to draw attention to incoming phone calls, which are indicated with high volume and additionally signalled by the integrated strobe light. Both signals are actuated by the AC ringing voltage.

In the signal unit mode the acoustic and optical signals are generated by applying the 230 V line voltage.

The TWIN-EExII is a compact unit comprising power supply, telephone connection, strobe light, amplifier and loud-speaker. The bottom box is made of seawater-resistant cast aluminium coated with plastic. The loudspeaker consists of impact and cold-resistant plastic and is permanently mounted to the housing. The strobe light cap made of polycarbonat forms the housing cover.

Features

- II 2 G Ex e mb [ib] IIC T6/T5/T4 Gb
- Protection class IP 66 according to EN 60529
- Explosion-proof, optical-acoustic signalling unit
- High-volume multitone alarm
- Powerful strobe light
- Supplied from the 230 V network

EATON

Powering Business Worldwide



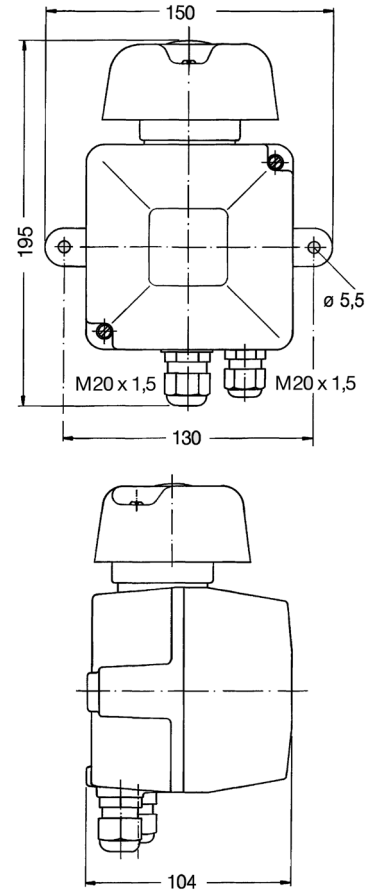
Certifications

Protection type	II 2 G Ex e mb [ib] IIC T6 Gb for -20 °C ≤ Ta ≤ +40 °C II 2 G Ex e mb [ib] IIC T5 Gb for -20 °C ≤ Ta ≤ +50 °C II 2 G Ex e mb [ib] IIC T4 Gb for -20 °C ≤ Ta ≤ +60 °C
Approval	PTB 99 ATEX 2115 BZT: D 130 879 J IECEX PTB 13.0048

Specifications

Housing	Die-cast aluminium, cap made of macrolon
Protection class	IP 66 according to EN 60529
Cable glands	1x M20 x 1.5 (230 V network) 1x M20 x 1.5 (telephone network)
Cable diameter	6-12 mm (230 V network)/5-10 mm (telephone network)
Connection terminals	Terminal capacity up to 1.5 mm ² ; single and fine-wired
Operating position	Any (wall or ceiling mounting) In rooms exposed to excess dust and/or moisture, the bell opening should be facing upward.
Operating mode	Secondary telephone alarm or signal unit with call pause bridging for secondary alarm mode
Power supply connection	L1, N, PE (PE at housing) 230 V, -15 % +10 %/50 Hz/60 Hz
External fuse required (not part of scope of delivery)	500 mA
Telephone connection	W, Lb 30 VAC ... 75 VAC/23 Hz ... 54 Hz/0 VDC ... 63 VDC
Operating time	≤ 60 minutes at Ta = +60 °C ≤ 15 minutes at 60 Hz (afterwards 30 minutes of break)
Acoustic signalling	Only with 230 V network
Signal alarm	Loudspeaker
Signals	Single-tone call/2-tone call/3-tone call
Volume	Approx. 90 dB(A), 1 m distance
Optical signalling	Only with 230 V network
Light source	2 flash tubes, ca. 0,9 joule
Flash frequency	1 Hz ... 2 Hz
Weight	Approx. 1.5 kg

General arrangement drawing (all dimensions in mm)

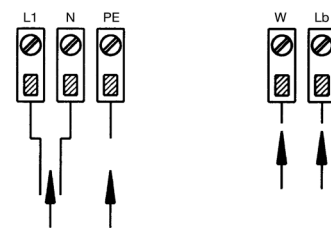


Position	Operating mode
	secondary telephone alarm
	signal unit
	melody
	3-tone 16.6 Hz
	3-tone 50 Hz
	3-tone 120 ms on/50 ms off
	3-tone 60 ms on/25 ms off
	2-tone 16.6 Hz
	2-tone 50 Hz
	single-tone continuous tone
	single-tone 120 ms on/50 ms off

Einstellen des Schiebeschalters / Setting the DIP switch

Stellung Position	Betriebsart Operating Mode
	Telefonzeitwecker Second telephone alarm
	Signalwecker Signal unit

Terminal assignment



Ordering data

* The full article number for ATEX and IECEx variants is made up by appending the colour code to the article numbers given below. INMETRO and CUTR variants are available on request.

Type	Designation	Nominal voltage	Ringing voltage	Ringing frequency	Article number
TWIN EExII	Secondary Telephone Alarm and Signal Unit	230 VAC	30-90 VAC	16 Hz ... 54 Hz	FHF 118 83 3*

transparent	11
red	12
amber	13
green	14
blue	15