



Auteldac 4

ATEX Approved Hazardous Area Telephone



- Ex II 2 GD & Ex II 2 G ATEX Certified telephone for Gas and Dust
- Zone 1 & 2, Zone 21 & 22 Compliant
- **CE** (R&TTE Directive 1999/5/EC and ATEX Product Directive 94/9/EC)
- IEC Ex certified
- GOST-R & INMETRO Approved for Gas
- Fully compliant with TBR21 / TBR38
- Full keypad with 3 programmable memory buttons, or CB variant
- Headset Option
- 90dB sounder (adjustable)
- Secondary beacon / external sounder actuator
- Robust and weather resistant (IP66 with curly cord, IP54 with steel cord)
- Industry standard robust handset c/w curly cord or armoured stainless steel
- Noise cancelling versions available
- Dual purpose design for wall or desk mounting, simple installation

The Auteldac 4 (A4) telephone has secured ATEX and IEC approval to provide a tough, weather resistant unit, built to withstand arduous industrial atmospheres and environmental extremes.

Certified for safe operation in hazardous areas, the Auteldac 4 body is made from carbon loaded glass filled polyester to eliminate rust and corrosion.

The elimination of moving parts maintains a high level of reliability to industrial and weather resistant telephones.

Features such as 'electronic on-hook sensing' and 'electronic tone ringer' enable an enclosure protection up to IP66. Should the handset be left off-hook, the A4 will automatically revert to on-hook state after a period of 6-8 minutes (this option can be disabled).

Auteldac 4 telephones come complete with an integral ringer with volume control and secondary beacon / external sounder actuator as standard. An inductive coupler is fitted to aid the hard of hearing. For hands-free telephone use, the Auteldac 4 has the option of a headset.

Connectivity:

Standard Analogue

The standard analogue unit provides basic telephone functions and can be connected to any standard two-wire telephone line, including FXS ports, analogue PABX lines and PSTN.

Options:

The handset has a choice of armoured stainless steel or curly cords.



Keypad Options:

18 button Full Keypad

Included in the 18 button version, are 3 direct dial buttons for fast one touch dialling of pre-stored numbers or accessing low cost call facilities. Includes: **M1- M3** Memory buttons, **S** 'Store', **R** 'Recall', **LR** 'Last number redial'

0 button CB

This can be used to initiate a PABX 'hotline' or lift handset and wait for reply, where the PABX does the call routing/dialling. Autodial on handset lift also available.



GAI-Tronics Telephony

Auteldac 4

ATEX Approved Hazardous Area Telephone

TECHNICAL SPECIFICATIONS (please refer to technical manual for full product details)

Enclosure:

Carbon loaded glass-filled polyester (colour: black)

Surface resistance: 10^9 ohms

Handset: Conductively coated polycarbonate handset with coiled cord or stainless steel spiral cord. Noise cancelling options. Extended cord lengths available.

Keypad: Weathersealed tactile digital keypad

Hookswitch:

Electronic with no mechanical moving parts

Weather Ingress protection:

IP66 curly cord, IP54 steel cord

Ringng: Shrill warble tone >90 dBA @ 1 metre typical. Internal volume control.

Power Supply: Drawn from telephone line

Integral Ring Detector: Contact closure following the ringing cadence, rated at 250Vac, 5A.

Isolated hookswitch sensor:

Additional contact rated at 250Vac, 150mA

Parallel Terminal Block:

Duplicated line terminals allows connection to a parallel device without an additional junction box.

Time Out: Enforces a fixed call maximum time limit to 6-8 minutes from lifting of the handset. User selectable.

Dialling system: LD or DTMF (switchable)

Recall Button:

Internally switchable from Earth Loop Recall (600ms pulse) and Timed Break Recall 98ms, 250ms or 604ms.

Certified Operating Temperature:

-20° C up to +55° C (-40° C to +50° C for GOST-R)

Relative Humidity: Up to 95% (non-condensing)

Weight: approx. 3.1 kg

APPROVALS

CE This mark indicates compliance with the following directives; R&TTE Directive 1999/5/EC, ATEX Product Directive 94/9/EC, Tested to TBR21 / TBR38
The GAI-Tronics Quality Management System has been approved by LRQA to ISO9001:2008 & ISO 14001:2004 Certificate No. 861888 and OHSAS 18001:2007 Certificate No. 4004472

Telephone compliance

Baseefa03ATEX0617

Ex II 2 GD (curly cord, no headset) Ex ibD tb IIC T180°C, Ex e ib mb IIC T4 Gb (-20°C to +55°C) T5 Gb (-20°C to +50°C)

Ex II 2 G (steel cord and/or headset versions) Ex e ib mb IIC T4 Gb (-20°C to +55°C) T5 Gb (-20°C to +50°C)

IECEX BAS 05.0060 Ex e mb ib IIC T4 (-20°C to +50°C),

Ex e mb ib IIC T5 (-20°C to +50°C)

GOST-R Approval (Russia)

POCC GB.ГБ06.B00825 (-40°C to +50°C)

INMETRO Approval (Brazil) CEPEL-EX-2016/11

BR-Ex e ib mb IIC T5 Gb (-20°C to +50°C)

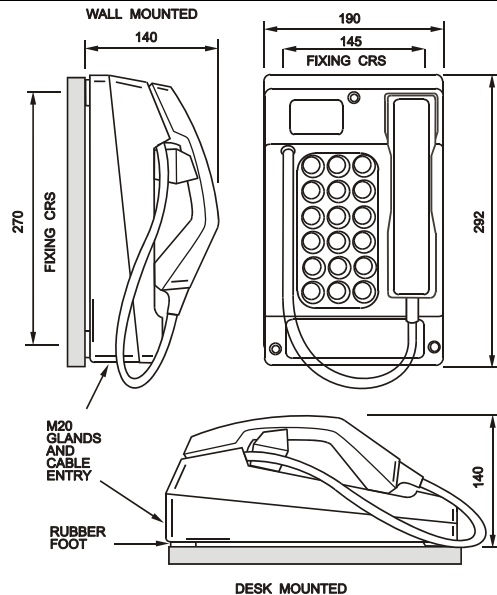
BR-Ex e ib mb IIC T4 Gb (-20°C to +55°C)

Headset compliance

Ex II 2 G EEx ib IIC T4 (-20°C to +40°C) TUV03ATEX2124

GOST-R Approval POCC GB.ГБ06.B00825 (-40°C to +40°C)

DIMENSIONS:



ORDER CODE

Auteldac 4 Curly Cord

18btn standard unit	212-02-2008-031	Dust & Gas
18btn + headset socket*	212-02-2008-231	Gas
CB standard unit	212-02-2000-031	Dust & Gas
CB + headset socket*	212-02-2000-231	Gas

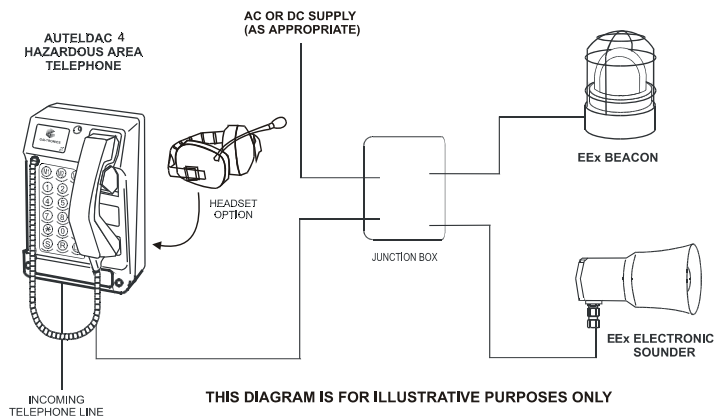
Auteldac 4 Stainless Steel Cord

18btn standard unit	212-02-2008-020	Gas
18btn + headset socket*	212-02-2008-220	Gas
CB standard unit	212-02-2000-020	Gas
CB + headset socket*	212-02-2000-220	Gas

Headset & Plug for Auteldac 4

*Headset and plug	100-02-0598-001	Gas
Extension Cord for Headset	610-35-2036-001	

CONNECTION OPTIONS



GAI-Tronics® - United Kingdom - Tel: +44 (0)1283 500500 - Fax: +44 (0)1283 500400 - sales@gai-tronics.co.uk - www.gai-tronics.co.uk
 GAI-Tronics® (Corporate) - USA - Tel: +1(610) 777 1374 - Toll Free: 800 492 1212 - Fax: +1(610) 796 5954 - www.gai-tronics.com
 GAI-Tronics® S.r.l - Italy - Tel: +39 02 48601 460 - Fax: +39 02 4585 625 - www.gai-tronics.co.uk
 GAI-Tronics® - Malaysia - Tel: +60 3 8945 4035 - Fax: +60 3 8945 4675 - www.gai-tronics.co.uk
 GAI-Tronics® Austdac - Australia - Tel: 011 61 28 851 5000 - Fax: 011 61 29 899 2490 - www.austdac.com.au
 An ISO 9001, ISO 14001, OHSAS 18001 Registered Company
 The policy of GAI-Tronics is one of continuous improvement; therefore the company reserves the right to change specifications without notice.

B169-2-0711B/CN336306-001