

# 63 A

750 V  
U MAXI

## DECONTACTOR™ DX6



MARECHAL ELECTRIC FRANCE

II 2 G D      Ex de IIC    tD A21  
 -40 °C ≤ Ta ≤ +60 °C    T5    T90 °C  
 -40 °C ≤ Ta ≤ +50 °C    T6    T80 °C  
 IECEx LCI 09.0015/LCIE 04 ATEX 6038



IP65  
IP66



16-35 mm<sup>2</sup> (1)  
16-50 mm<sup>2</sup> (2)



METAL



IK10



-40 °C  
+60 °C



ATEX



1, 2,  
21, 22



EMC

(1) Flexible wiring (min.-max.).  
(2) Stranded wiring (min.-max.).



Other configurations  
on request

Locking position  
connected or  
disconnected by  
lockable shaft.

### STANDARDS

International and European  
IEC/EN standards

60079-0, 60079-1, 60079-7, 60079-31, 60309-1, 60309-4,

Protection mode

de, tD



Each socket outlet  
or inlet must be  
associated with a box,  
a sleeve or a handle.

**SOCKET-OUTLET**  
female  
DX6



**INCLINED  
APPLIANCE**  
inlet  
DX6




**PLUG**  
male  
DX6




220-250 V AC	1P+N+E	2664015	2666015	12-21 mm	2661015
380-440 V AC	3P+E	2664013	2666013	12-21 mm	2661013
380-440 V AC	3P+N+E	2664017	2666017	12-21 mm	2661017

► Other currents, voltages, frequencies and contact configurations are available (see page 14).


# REFERENCES ACCESSORIES

WALL BOX	Cable gland entry	Cable outer Ø	Reference
<b>WALL BOX METAL 90° EX METAL CABLE GLAND INCLUDED*</b>			
	M25	9-16 mm	266AB5325M
	M32	12-21 mm	266AB53
	M40	16-27 mm	266AB5340M

\* Optional versions for earth continuity are available, please contact us

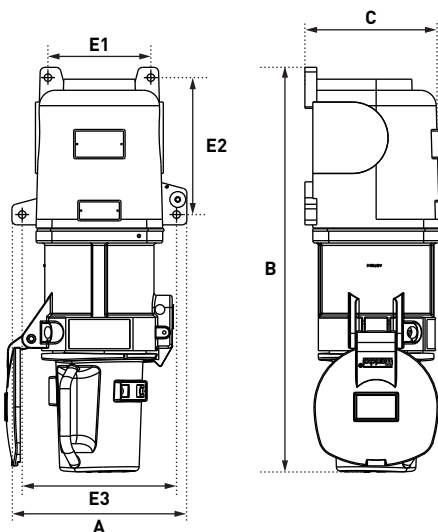
HANDLES	Cable gland entry	Cable outer Ø	Reference
<b>STRAIGHT HANDLE METAL BOX EX METAL CABLE GLAND INCLUDED*</b>			
	M25	9-16 mm	266A95325M
	M32	12-21 mm	266A963
	M40	16-27 mm	266A95340M

OPTIONS	Reference
<b>INLET CAP IP66/IP67</b>	
	266A926

ELECTROMAGNETIC COMPATIBILITY (EMC)	NEW
	Please order a metal accessory herewith, together with a Ex EMC cable gland to be found on page 318.

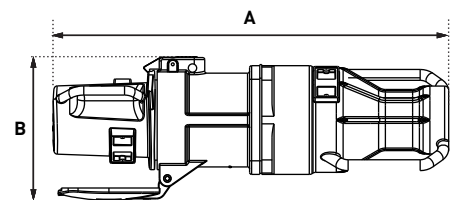
# DRAWINGS AND DIMENSIONS

**PLUG ON WALL MOUNTED SOCKET OUTLET**



A	B	C	E1	E2	E3
221	511	173	130	173	195

**COUPLER**



A	B	C
582	212	160