

Technical Information

Proline Promag 50L

Electromagnetic flowmeter



The flowmeter with a weight-optimized sensor and a modular electronic concept

Application

- The measuring principle is virtually independent of pressure, density, temperature and viscosity
- Fully suitable for standard applications in the water and wastewater industry

Device properties

- Up to 30 % less sensor weight
- Nominal diameter: DN 25 to 2400 (1 to 90")
- Maximum reduced installation length to DVGW/ISO
- 2-line backlit display with push buttons
- Device in compact or remote version
- HART, PROFIBUS PA/DP

Your benefits

- Reduced installation costs – flexible mounting by one-of-a-kind lap-joint flange concept (DN < 350/14")
- Energy-saving flow measurement – no pressure loss due to cross-section constriction
- Maintenance-free – no moving parts
- Fast commissioning – application-specific Quick Setups
- Safe operation – display provides easy readable process information
- Fully industry compliant – IEC/EN/NAMUR

Table of contents

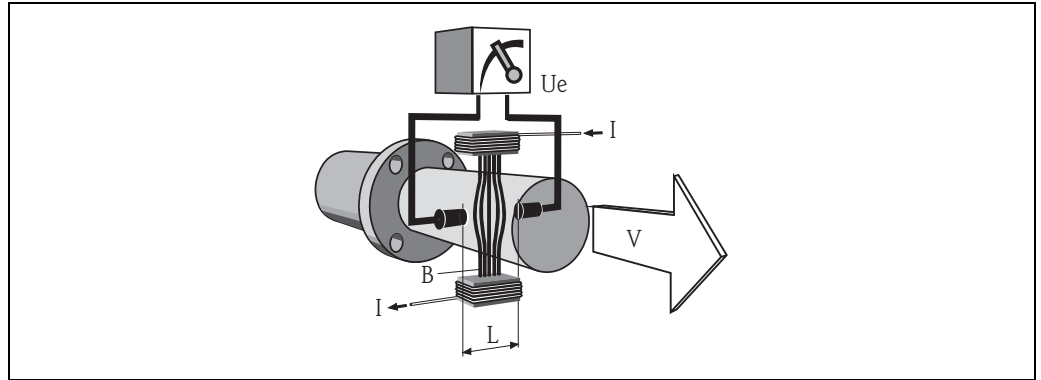
Function and system design	3	Mechanical construction	21
Measuring principle	3	Design dimensions	21
Measuring system	3	Weight	33
Input	4	Measuring tube specifications	37
Measured variable	4	Material	39
Measuring ranges	4	Pressure-temperature ratings	39
Operable flow range	4	Fitted electrodes	40
Input signal	4	Process connections	40
Output	5	Surface roughness	40
Output signal	5	Human interface	41
Signal on alarm	5	Display elements	41
Load	5	Operating elements	41
Low flow cut off	5	Language groups	41
Galvanic isolation	5	Remote operation	41
Switching output	5	Certificates and approvals	41
Power supply	6	CE mark	41
Electrical connection, measuring unit	6	C-tick mark	41
Electrical connection, terminal assignment	7	Drinking water approval	41
Electrical connection, remote version	7	PROFIBUS DP/PA certification	41
Supply voltage (power supply)	7	Other standards and guidelines	41
Cable entry	7	Ordering information	42
Remote version cable specifications	8	Accessories	42
Power consumption	8	Documentation	42
Power supply failure	8	Registered trademarks	43
Potential equalization	9		
Performance characteristics	10		
Reference operating conditions	10		
Maximum measured error	10		
Repeatability	10		
Installations	11		
Installation instructions	11		
Inlet and outlet run	14		
Adapters	15		
Length of connecting cable	16		
Environment	17		
Ambient temperature range	17		
Storage temperature	17		
Degree of protection	17		
Shock and vibration resistance	17		
Electromagnetic compatibility (EMC)	17		
Process	18		
Medium temperature range	18		
Conductivity	18		
Medium pressure range (nominal pressure)	18		
Pressure tightness	18		
Limiting flow	19		
Pressure loss	20		

Function and system design

Measuring principle

Following *Faraday's law of magnetic induction*, a voltage is induced in a conductor moving through a magnetic field.

In the electromagnetic measuring principle, the flowing medium is the moving conductor. The voltage induced is proportional to the flow velocity and is supplied to the amplifier by means of two measuring electrodes. The flow volume is calculated by means of the pipe cross-sectional area. The DC magnetic field is created through a switched direct current of alternating polarity.



$$U_e = B \cdot L \cdot v$$

$$Q = A \cdot v$$

U_e	Induced voltage
B	Magnetic induction (magnetic field)
L	Electrode spacing
v	Flow velocity
Q	Volume flow
A	Pipe cross-section
I	Current strength

A0003191

Measuring system

The measuring system consists of a transmitter and a sensor.

Two versions are available:

- Compact version: Transmitter and sensor form a mechanical unit.
- Remote version: Sensor is mounted separate from the transmitter.

Transmitter:

- Promag 50 (key operation, two-line display)

Sensor:

- Promag L
 - DN 25 to 300 (1 to 12")
 - DN 350 to 2400 (14 to 90")



Caution!

To avoid corrosion, the sensor and process connection material must be selected considering the environmental and process conditions.

Input

Measured variable	Flow velocity (proportional to induced voltage)
Measuring ranges	Measuring ranges for liquids Typically $v = 0.01$ to 10 m/s (0.033 to 33 ft/s) with the specified accuracy
Operable flow range	Over $1000 : 1$
Input signal	Status input (auxiliary input): $U = 3$ to 30 V DC, $R_i = 5$ k Ω , galvanically isolated. Configurable for: totalizer(s) reset, measured value suppression, error-message reset. Status input (auxiliary input) with PROFIBUS DP: $U = 3$ to 30 V DC, $R_i = 3$ k Ω , galvanically isolated. Switching level: 3 to 30 V DC, independent of polarity. Configurable for: totalizer(s) reset, measured value suppression, error-message reset, batching start/stop (optional), batch totalizer reset (optional).

Output

Output signal

Current output

active/passive selectable, galvanically isolated, time constant selectable (0.01 to 100 s), full scale value selectable, temperature coefficient: typ. 0.005% o.r./°C (o.r. = of reading), resolution: 0.5 μ A

- Active: 0/4 to 20 mA, $R_L < 700 \Omega$ (HART: $R_L \geq 250 \Omega$)
- Passive: 4 to 20 mA, operating voltage V_s : 18 to 30 V DC, $R_i \geq 150 \Omega$

Pulse/ frequency output

passive, open collector, 30 V DC, 250 mA, galvanically isolated

- Pulse output: pulse value and pulse polarity selectable, max. pulse width configurable (0.5 to 2000 ms)
- Frequency output: full scale frequency 2 to 1000 Hz ($f_{max} = 1250$ Hz), on/off ratio 1:1, pulse width max. 10 s

PROFIBUS DP interface

- Transmission technology (Physical Layer): RS485 in accordance with ASME/TIA/EIA-485-A: 1998, galvanically isolated
- Profile version 3.0
- Data transmission rate: 9.6 kBaud to 12 MBaud
- Automatic data transmission rate recognition
- Function blocks: 1× analog input, 1× totalizer
- Output data: volume flow, totalizer
- Input data: positive zero return (ON/OFF), totalizer control, value for local display
- Cyclic data transmission compatible with previous model "Promag 33"
- Bus address adjustable via miniature switches or local display (optional) at the measuring device

PROFIBUS PA interface

- Transmission technology (Physical Layer): IEC 61158-2 (MBP), galvanically isolated
- Profile version 3.0
- Current consumption = 11 mA
- Permissible supply voltage: 9 to 32 V
- Bus connection with integrated reverse polarity protection
- Error current FDE (Fault Disconnection Electronic) = 0 mA
- Function blocks: 1× analog input, 2 × totalizer
- Output data: volume flow, totalizer
- Input data: positive zero return (ON/OFF), control totalizer, value for local display
- Cyclic data transmission compatible with previous model "Promag 33"
- Bus address adjustable via miniature switches or local display (optional) at the measuring device

Signal on alarm

- Current output → Failsafe mode can be selected (e.g. in accordance with NAMUR Recommendation NE 43)
- Pulse/ frequency output → Failsafe mode can be selected
- Status output → "Not conductive" in the event of fault or power supply failure

Load

Section "output signal" → 5

Low flow cut off

Switch-on points for low flow are selectable.

Galvanic isolation

All circuits for inputs, outputs and power supply are galvanically isolated from each other.

Switching output

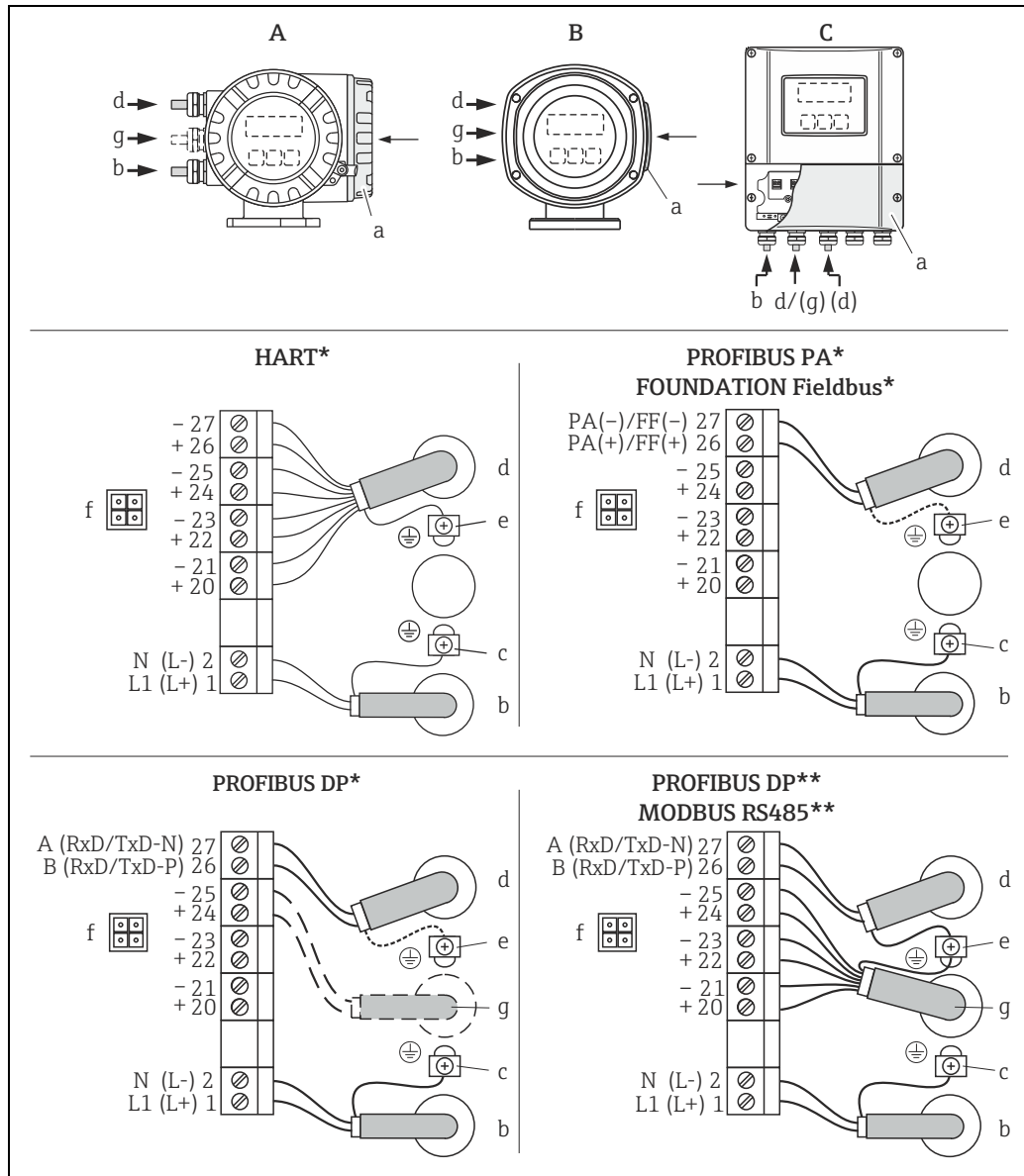
Status output

Open collector, max. 30 V DC / 250 mA, galvanically isolated

Configurable for: error messages, Empty Pipe Detection (EPD), flow direction, limit values

Power supply

Electrical connection,
measuring unit



A0002441

Connecting the transmitter, cable cross-section max. 2.5 mm² (14 AWG)

- A View A (field housing)
 B View B (stainless steel field housing)
 C View C (wall-mount housing)

*) not changeable communication board
 **) changeable communication board

a Cover of the connection compartment

b Cable for power supply: 85 to 260 V AC, 20 to 55 V AC, 16 to 62 V DC

- Terminal No. 1: L1 for AC, L+ for DC

- Terminal No. 2: N for AC, L- for DC

c Ground terminal for protective conductor

d Signal cable: see Terminal assignment → 7

Fieldbus cable:

- Terminal No. 26: DP (B) / PA (+) / (PA with reverse polarity protection)

- Terminal No. 27: DP (A) / PA (-) / (PA with reverse polarity protection)

e Ground terminal for signal-cable shield / Fieldbus cable / RS485 line

f Service connector for connecting service interface FXA 193 (Fieldcheck, FieldCare)

g Signal cable: see Terminal assignment → 7

Cable for external termination (only for PROFIBUS DP with fixed assignment communication board):

- Terminal No. 24: +5 V

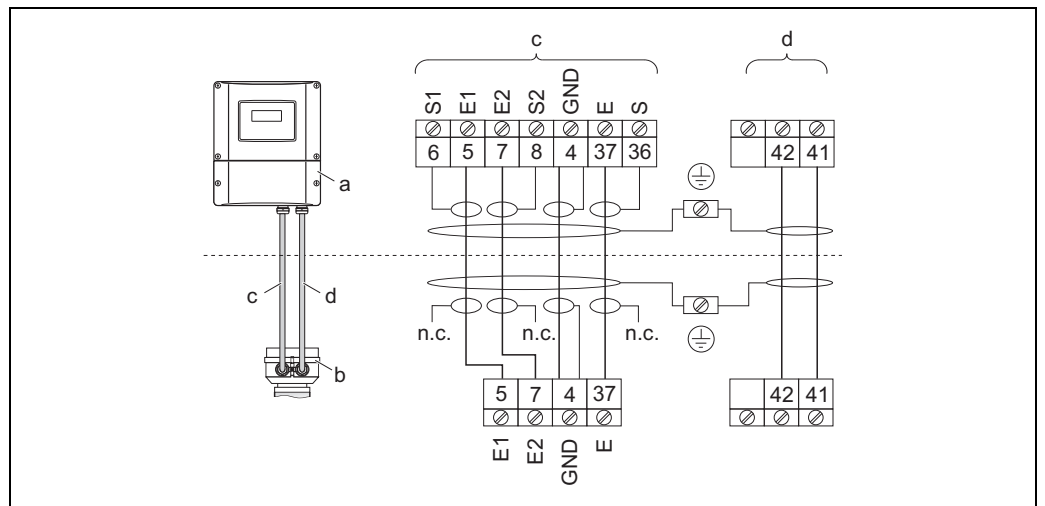
- Terminal No. 25: DGND

Electrical connection, terminal assignment

Order version	Terminal No. (inputs/ outputs)			
	20 (+) / 21 (-)	22 (+) / 23 (-)	24 (+) / 25 (-)	26 (+) / 27 (-)
50***_*****W	-	-	-	Current output HART
50***_*****A	-	-	Frequency output	Current output HART
50***_*****D	Status input	Status output	Frequency output	Current output HART
50***_*****H	-	-	-	PROFIBUS PA
50***_*****J	-	-	+5 V (external termination)	PROFIBUS DP

Ground connection, power supply → 6

Electrical connection, remote version



Connecting the remote version

- a Wall-mount housing connection compartment
- b Sensor connection housing cover
- c Signal cable
- d Coil current cable
- n.c. Not connected, insulated cable shields

Terminal numbers and cable colors:
 5/6 = brown, 7/8 = white, 4 = green, 37/36 = yellow

Supply voltage (power supply)

- 85 to 250 V AC, 45 to 65 Hz
- 20 to 55 V AC, 45 to 65 Hz
- 16 to 62 V DC
- PROFIBUS PA
- Non-Ex: 9 to 32 V DC
- Ex i: 9 to 24 V DC
- Ex d: 9 to 32 V DC

Cable entry

Power supply and signal cables (inputs/ outputs):

- Cable entry M20 × 1.5 (8 to 12 mm / 0.31 to 0.47")
- Thread for cable entries, ½" NPT, G ½"

Connecting cable for remote version:

- Cable entry M20 × 1.5 (8 to 12 mm / 0.31 to 0.47")
- Sensor cable entry for armoured cables M20 × 1.5 (9.5 to 16 mm / 0.37 to 0.63")
- Thread for cable entries, ½" NPT, G ½"

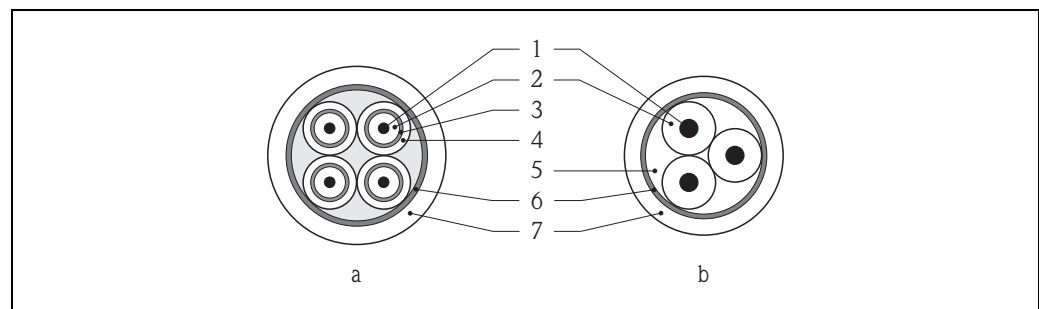
Remote version cable specifications

Coil cable

- $2 \times 0.75 \text{ mm}^2$ (18 AWG) PVC cable with common, braided copper shield ($\varnothing \sim 7 \text{ mm} / 0.28''$)
- Conductor resistance: $\leq 37 \text{ } \Omega/\text{km}$ ($\leq 0.011 \text{ } \Omega/\text{ft}$)
- Capacitance core/core, shield grounded: $\leq 120 \text{ pF/m}$ ($\leq 37 \text{ pF/ft}$)
- Operating temperature: -20 to $+80 \text{ }^\circ\text{C}$ (-68 to $+176 \text{ }^\circ\text{F}$)
- Cable cross-section: max. 2.5 mm^2 (14 AWG)
- Test voltage for cable insulation: $\leq 1433 \text{ AC r.m.s. } 50/60 \text{ Hz}$ or $\geq 2026 \text{ V DC}$

Signal cable

- $3 \times 0.38 \text{ mm}^2$ (20 AWG) PVC cable with common, braided copper shield ($\varnothing \sim 7 \text{ mm} / 0.28''$) and individual shielded cores
- With empty pipe detection (EPD): $4 \times 0.38 \text{ mm}^2$ (20 AWG) PVC cable with common, braided copper shield ($\varnothing \sim 7 \text{ mm} / 0.28''$) and individual shielded cores
- Conductor resistance: $\leq 50 \text{ } \Omega/\text{km}$ ($\leq 0.015 \text{ } \Omega/\text{ft}$)
- Capacitance core/shield: $\leq 420 \text{ pF/m}$ ($\leq 128 \text{ pF/ft}$)
- Operating temperature: -20 to $+80 \text{ }^\circ\text{C}$ (-68 to $+176 \text{ }^\circ\text{F}$)
- Cable cross-section: max. 2.5 mm^2 (14 AWG)



A0003194

- a Signal cable
b Coil current cable
- 1 Core
2 Core insulation
3 Core shield
4 Core jacket
5 Core reinforcement
6 Cable shield
7 Outer jacket

Optionally, Endress+Hauser also supplies reinforced connecting cables with an additional, metal strengthening braid. We recommend such cables for the following cases:

- Cables laid underground
- Danger of rodent attack
- Device used with ingress protection IP 68

Operation in zones of severe electrical interference

The measuring device complies with the general safety requirements in accordance with EN 61010 and the EMC requirements of IEC/EN 61326 as well as the NAMUR Recommendation NE 21.



Caution!

Grounding is by means of the ground terminals provided for the purpose inside the connection housing.

Ensure that the stripped and twisted lengths of cable shield to the ground terminal are as short as possible.

Power consumption

- AC: $< 15 \text{ VA}$ (incl. sensor)
- DC: $< 15 \text{ VA}$ (incl. sensor)

Switch-on current:

- Max. 8.5 A ($< 50 \text{ ms}$) for 24 V DC
- Max. 3 A ($< 5 \text{ ms}$) for 260 V AC

Power supply failure

Lasting min. 1 power cycle:

- EEPROM retain the measuring system data in the event of a power supply failure
- S-DAT: exchangeable data storage chip which stores the data of the sensor (nominal diameter, serial number, calibration factor, zero point etc.)

Potential equalization



Warning!


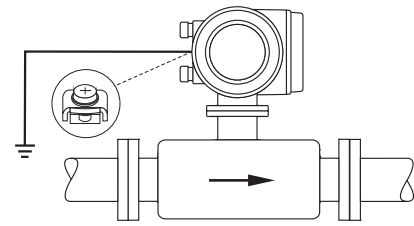
The measuring system must be included in the potential equalization.

Perfect measurement is only ensured when the fluid and the sensor have the same electrical potential. This is ensured by the reference electrode integrated in the sensor as standard.



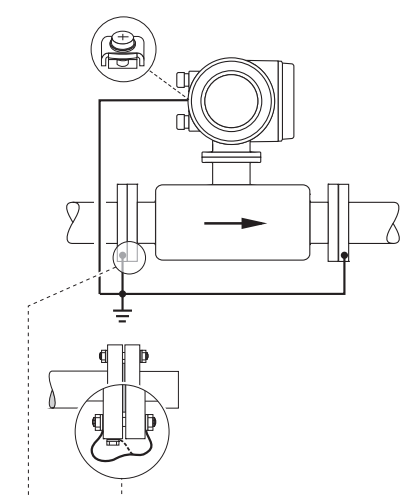

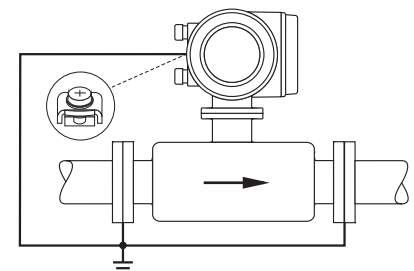
The following should also be taken into consideration for potential equalization:

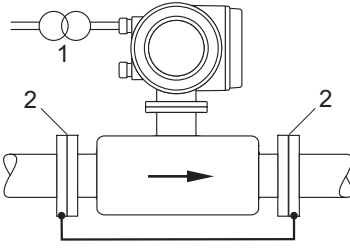
- Internal grounding concepts in the company
- Operating conditions, such as the material/grounding of the pipes (see Table)

Standard situation

Operating conditions	Potential equalization
<p>When using the measuring device in a:</p> <ul style="list-style-type: none"> ■ Metal, grounded pipe <p>Potential equalization takes place via the ground terminal of the transmitter.</p> <p> Note! When installing in metal pipes, we recommend you connect the ground terminal of the transmitter housing with the piping.</p>	 <p style="text-align: right;">A0011892</p> <p style="text-align: center;"><i>Via the ground terminal of the transmitter</i></p>

Special situations

Operating conditions	Potential equalization
<p>When using the measuring device in a:</p> <ul style="list-style-type: none"> ■ Metal pipe that is not grounded <p>This connection method also applies in situations where:</p> <ul style="list-style-type: none"> ■ Customary potential equalization cannot be ensured. ■ Excessively high equalizing currents can be expected. <p>Both sensor flanges are connected to the pipe flange by means of a ground cable (copper wire, 6 mm² / 0.0093 in²) and grounded. Connect the transmitter or sensor connection housing, as applicable, to ground potential by means of the ground terminal provided for the purpose.</p> <p>The ground cable is mounted directly on the conductive flange coating with the flange screws.</p> <p> Note! The ground cable for flange-to-flange connections can be ordered separately as an accessory from Endress+Hauser →  42.</p>	 <p style="text-align: right;">A0011576</p> <p style="text-align: center;"><i>Via the ground terminal of the transmitter and the flanges of the pipe</i></p>
<p>When using the measuring device in a:</p> <ul style="list-style-type: none"> ■ Plastic pipe ■ Pipe with insulating lining <p>This connection method also applies in situations where:</p> <ul style="list-style-type: none"> ■ Customary potential equalization cannot be ensured. ■ Excessively high equalizing currents can be expected. <p>Potential equalization takes place using additional ground disks, which are connected to the ground terminal via a ground cable (copper wire, min. 6 mm² / 0.0093 in²). When installing the ground disks, please comply with the enclosed Installation Instructions.</p> <p>Ground disks can be ordered separately as an accessory from Endress+Hauser →  42.</p>	 <p style="text-align: right;">A0011895</p> <p style="text-align: center;"><i>Via the ground terminal of the transmitter</i></p>

Operating conditions	Potential equalization
<p>When using the measuring device in a:</p> <ul style="list-style-type: none"> ▪ Pipe with a cathodic protection unit <p>The device is installed potential-free in the pipe. Only the two flanges of the pipe are connected with a ground cable (copper wire, min. 6 mm² / 0.0093 in²). Here, the ground cable is mounted directly on the conductive flange coating with flange screws.</p> <p>Note the following when installing:</p> <ul style="list-style-type: none"> ▪ The applicable regulations regarding potential-free installation must be observed. ▪ There should be no electrically conductive connection between the pipe and the device. ▪ The mounting material must withstand the applicable torques. 	 <p style="text-align: right;">A0011896</p> <p>Potential equalization and cathodic protection</p> <p>1 Power supply isolation transformer 2 Electrically isolated</p>

Performance characteristics

Reference operating conditions

- As per DIN EN 29104 and VDI/VDE 2641:
- Fluid temperature: +28 ± 2 °C (+82 ± 4 °F)
 - Ambient temperature: +22 ± 2 °C (+72 ± 4 °F)
 - Warm-up period: 30 minutes

Installation conditions:

- Inlet run > 10 × DN
- Outlet run > 5 × DN
- Sensor and transmitter grounded.
- The sensor is centered in the pipe.

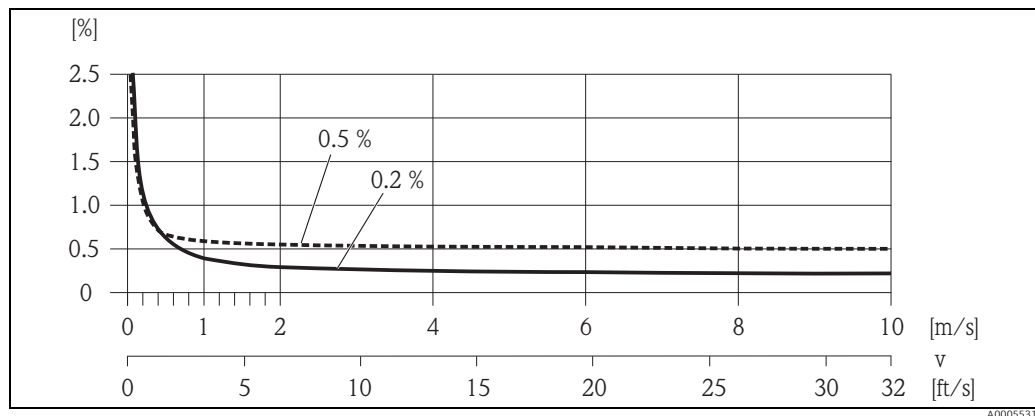
Maximum measured error

- Pulse output: ±0.5% o.r. ± 1 mm/s (±0.5% o.r. ± 0.04 in/s) (o.r. = of reading)
- Current output: also typically ± 5 μA

Optional:

- Pulse output: ±0.2% o.r. ± 2 mm/s (±0.2% o.r. ± 0.08 in/s) (o.r. = of reading)
- Current output: also typically ± 5 μA

Fluctuations in the supply voltage do not have any effect within the specified range.



Max. measured error in % of reading

Repeatability

Max. ±0.1% o.r. ± 0.5 mm/s (±0.1% o.r. ± 0.02 in/s) (o.r. = of reading)

Installations

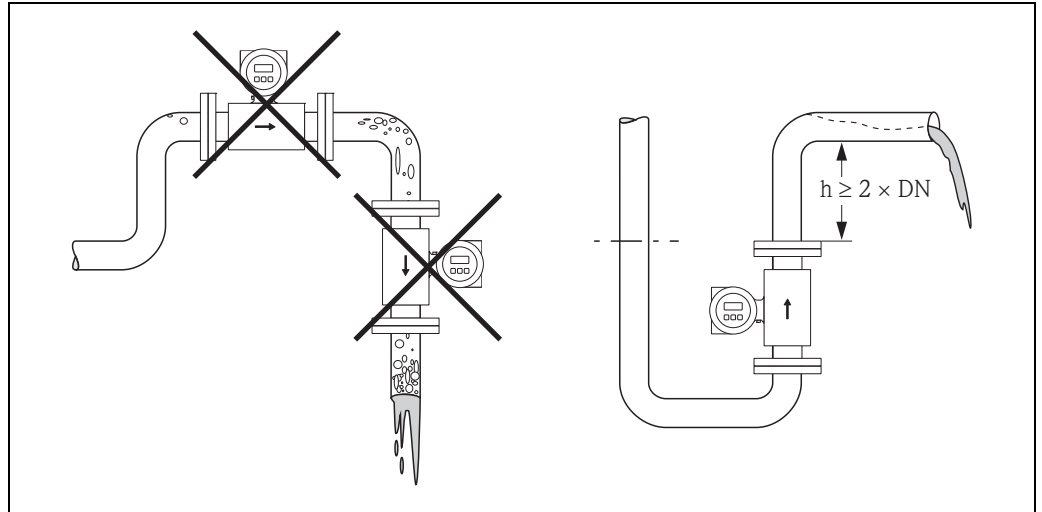
Installation instructions

Mounting location

Entrained air or gas bubble formation in the measuring tube can result in an increase in measuring errors.

Avoid the following installation locations in the pipe:

- Highest point of a pipeline. Risk of air accumulating!
- Directly upstream from a free pipe outlet in a vertical pipeline.

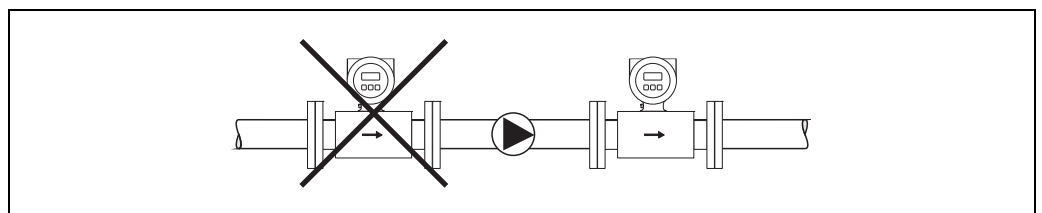


Mounting location

Installation of pumps

Sensors may not be installed on the pump suction side. This precaution is to avoid low pressure and the consequent risk of damage to the lining of the measuring tube. Information on the pressure tightness of the measuring tube lining → 18, Section "Pressure tightness".

Pulsation dampers may be needed when using piston pumps, piston diaphragm pumps or hose pumps. Information on the shock and vibration resistance of the measuring system → 17, Section "Shock and vibration resistance".



Installation of pumps

Partially filled pipes

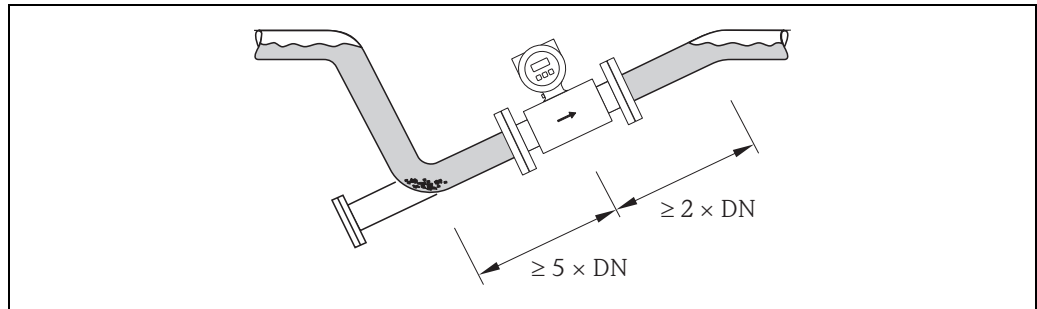
Partially filled pipes with gradients necessitate a drain-type configuration.

The empty pipe detection function (EPD) provides additional security in detecting empty or partially filled pipes.



Caution!

Risk of solids accumulating. Do not install the sensor at the lowest point in the drain. It is advisable to install a cleaning valve.

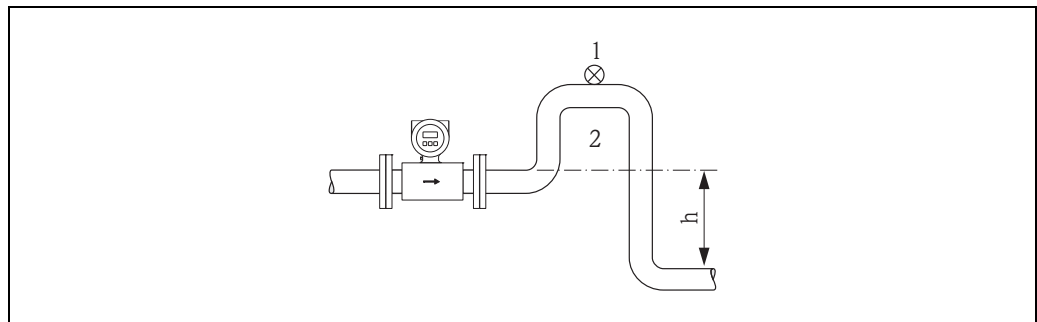


A0003204

Installation with partially filled pipes

Down pipes

Install a siphon or a vent valve downstream of the sensor in down pipes $h \geq 5$ m (16.4 ft). This precaution is to avoid low pressure and the consequent risk of damage to the lining of the measuring tube. This measure also prevents the liquid current stopping in the pipe which could cause air locks. Information on the pressure tightness of the measuring tube lining → 18, Section "Pressure tightness".



A0008157

Installation measures for vertical pipes

- 1 Vent valve
- 2 Pipe siphon
- h Length of the down pipe

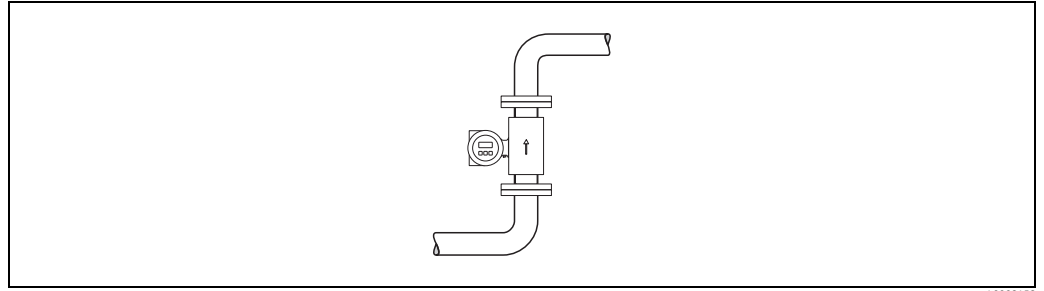
Orientation

An optimum orientation helps avoid gas and air accumulations and deposits in the measuring tube. Promag, nevertheless, supplies a range of options and accessories for correct measuring of problematic mediums:

- Empty Pipe Detection (EPD) for recognition of partially filled measuring tubes, or for degassing mediums or for applications with fluctuating process pressure.

Vertical orientation

This is the ideal orientation for self-emptying piping systems and for use in conjunction with empty pipe detection.



A0008158

Vertical orientation

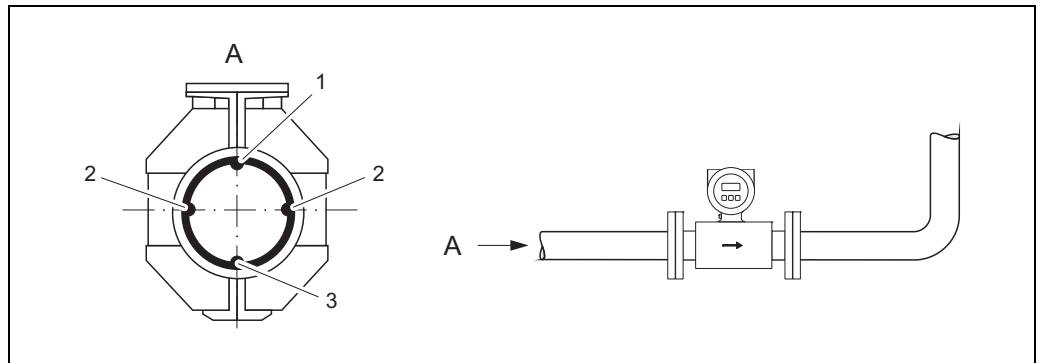
Horizontal orientation

The measuring electrode axis should be horizontal. This prevents brief insulation of the two measuring electrodes by entrained air bubbles.



Caution!

Empty pipe detection only works correctly with horizontal orientation if the transmitter housing is facing upwards. Otherwise there is no guarantee that empty pipe detection will respond if the measuring tube is only partially filled or empty.



A0003207

Horizontal orientation

- 1 EPD electrode for empty pipe detection
- 2 Measuring electrodes for signal detection
- 3 Reference electrode for potential equalization

Vibrations

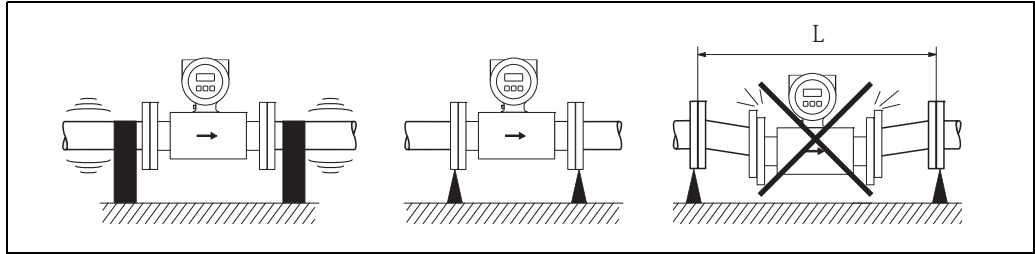
Secure the piping and the sensor if vibration is severe.



Caution!

If vibrations are too severe, we recommend the sensor and transmitter be mounted separately.

Information on the permitted shock and vibration resistance → 17, Section "Shock and vibration resistance".



A0003208

Measures to prevent vibration of the measuring device

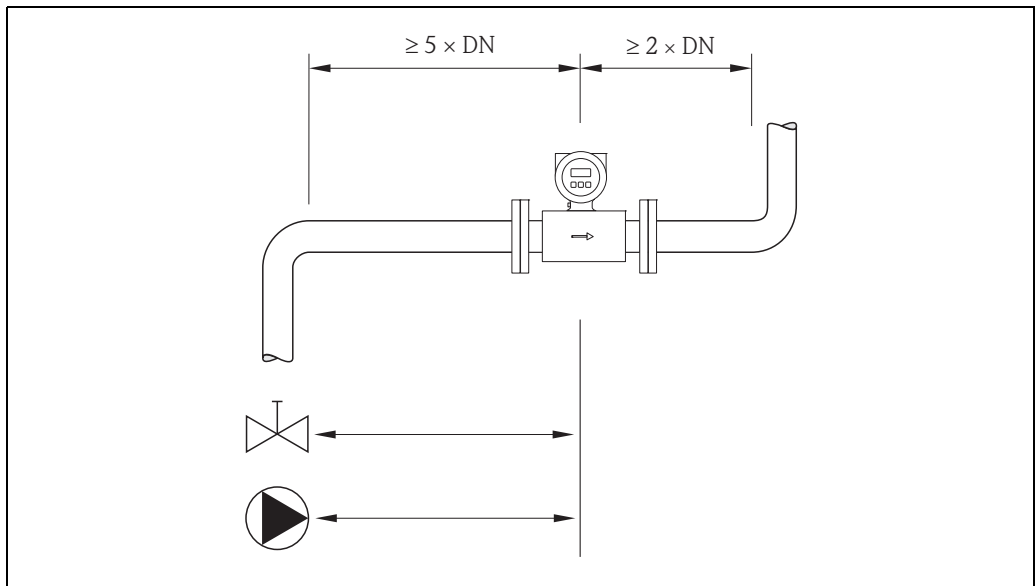
$L > 10\text{ m (33 ft)}$

Inlet and outlet run

If possible, install the sensor well clear of assemblies such as valves, T-pieces, elbows etc.

Note the following inlet and outlet runs to comply with measuring accuracy specifications:

- Inlet run: $\geq 5 \times \text{DN}$
- Outlet run: $\geq 2 \times \text{DN}$



A0003210

Inlet and outlet run

Adapters

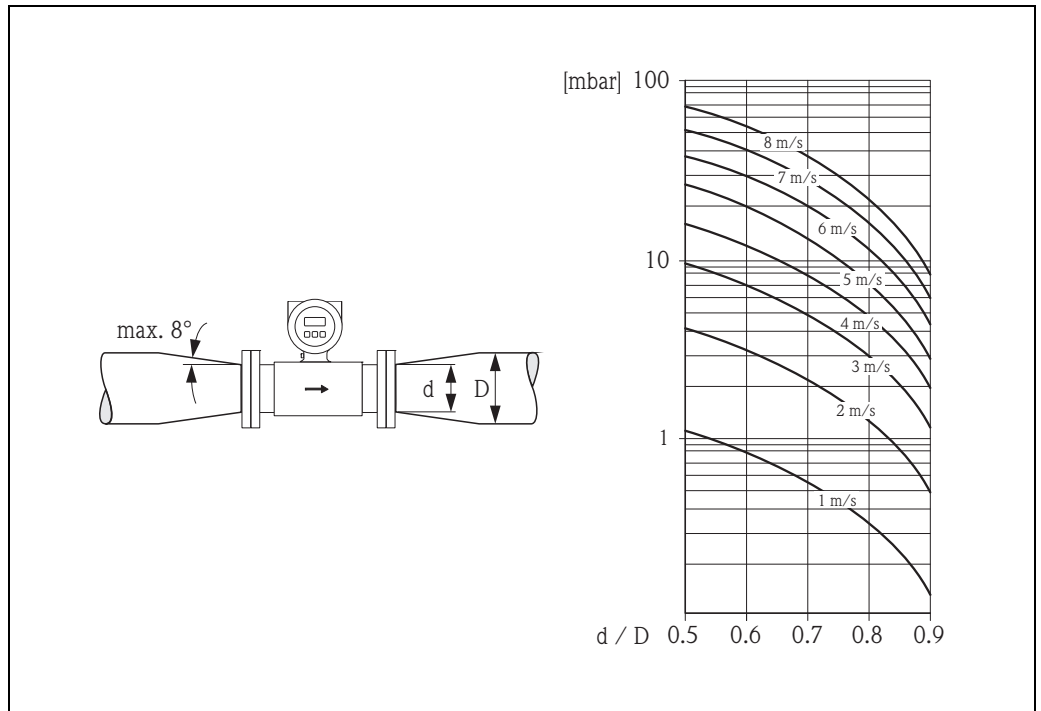
Suitable adapters to DIN EN 545 (double-flange reducers) can be used to install the sensor in larger-diameter pipes. The resultant increase in the rate of flow improves measuring accuracy with very slow-moving fluids. The nomogram shown here can be used to calculate the pressure loss caused by reducers and expanders.



Note!

The nomogram only applies to liquids of viscosity similar to water.

1. Calculate the ratio of the diameters d/D .
2. From the nomogram read off the pressure loss as a function of flow velocity (downstream from the reduction) and the d/D ratio.



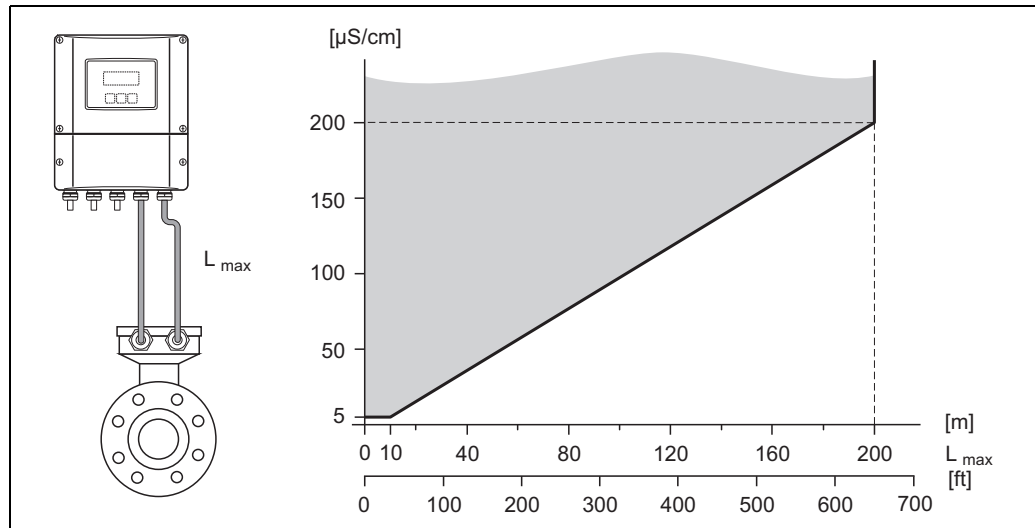
Pressure loss due to adapters

A0003213

Length of connecting cable

When mounting the remote version, please note the following to achieve correct measuring results:

- Fix cable run or lay in armored conduit. Cable movements can falsify the measuring signal especially in the case of low fluid conductivities.
- Route the cable well clear of electrical machines and switching elements.
- If necessary, ensure potential equalization between sensor and transmitter.
- The permitted cable length L_{\max} is determined by the fluid conductivity.
 - The required minimum conductivity for measuring
 - fluids in general: 5 $\mu\text{S}/\text{cm}$
 - demineralized water: 20 $\mu\text{S}/\text{cm}$
- When the empty pipe detection function is switched on (EPD), the maximum connecting cable length is 10 m (33 ft).



Permitted length of connecting cable for remote version

Area marked in gray = permitted range; L_{\max} = length of connecting cable in [m] ([ft]); fluid conductivity in $\mu\text{S}/\text{cm}$

A0008841

Environment

Ambient temperature range

Transmitter

- Standard: -20 to +60 °C (-4 to +140 °F)
- Optional: -40 to +60 °C (-40 to +140 °F)



Note!

At ambient temperatures below -20 °C (-4 °F) the readability of the display may be impaired.

Sensor

- Flange material carbon steel: -10 to +60 °C (14 to +140 °F)
- Flange material stainless steel (DN ≤ 300/12"): -40 to +60 °C (-40 to +140 °F)



Caution!

The permitted temperature range of the measuring tube lining may not be undershot or overshoot (→ [18](#), Section "Medium temperature range").

Please note the following points:

- Install the device in a shady location. Avoid direct sunlight, particularly in warm climatic regions.
- The transmitter must be mounted separate from the sensor if both the ambient and fluid temperatures are high (→ [18](#), Section "Medium temperature range").

Storage temperature

The storage temperature corresponds to the operating temperature range of the measuring transmitter and the appropriate measuring sensors.



Caution!

- The measuring device must be protected against direct sunlight during storage in order to avoid unacceptably high surface temperatures.
- A storage location must be selected where moisture does not collect in the measuring device. This will help prevent fungus and bacteria infestation which can damage the liner.

Degree of protection

- Standard: IP 67 (NEMA 4X) for transmitter and sensor.
- Optional: IP 68 (NEMA 6P) for sensor for remote version (DN ≤ 300 only with stainless steel flange).
- For information regarding applications where the device is buried directly in the soil or is installed in a flooded wastewater basin please contact your local Endress+Hauser Sales Center.

Shock and vibration resistance

Acceleration up to 2 g following IEC 600 68-2-6

Electromagnetic compatibility (EMC)

- As per IEC/EN 61326 as well as NAMUR Recommendation NE 21

Process

- Medium temperature range**
- 0 to +80 °C (+32 to +176 °F) for hard rubber (DN 350 to 2400 / 14 to 90")
 - -20 to +50 °C (-4 to +122 °F) for polyurethane (DN 25 to 1200 / 1 to 48")
 - -20 to +90 °C (-4 to +194 °F) for PTFE (DN 25 to 300 / 1 to 12")

Conductivity

Minimum conductivity:

- $\geq 5 \mu\text{S/cm}$ for fluids in general
- $\geq 20 \mu\text{S/cm}$ for demineralized water



Note!

In the remote version, the necessary minimum conductivity also depends on the cable length (→ 16, Section "Length of connecting cable").

**Medium pressure range
(nominal pressure)**

- EN 1092-1 (DIN 2501)
 - PN 6 (DN 350 to 2400 / 14 to 90")
 - PN 10 (DN 200 to 2400 / 8 to 90")
 - PN 16 (DN 25 to 300 / 1 to 12")
- EN 1092-1, lap joint flange, stampel plate
 - PN 10 (DN 25 to 300 / 1 to 12")
- ASME B16.5
 - Class 150 (1 to 24")
- AWWA
 - Class D (28 to 90")
- AS2129
 - Table E (350 to 1200 / 14 to 48")
- AS4087
 - PN 16 (350 to 1200 / 14 to 48")

Pressure tightness

Measuring tube lining: Polyurethane, hard rubber

Promag L Nominal diameter		Measuring tube lining	Resistance of measuring tube lining to partial vacu: Limit values for abs. pressure [mbar] ([psi]) at various fluid temperatures		
[mm]	[inch]		25 °C 77 °F	50 °C 122 °F	80 °C 176 °F
25 to 1200	1 to 48"	25 to 1200	1 to 48"	0	-
350 to 2400	14 to 90"	Hard rubber	0	0	0

Measuring tube lining: PTFE

Nominal diameter		Limit values for abs. pressure [mbar] ([psi]) at fluid temperatures:			
[mm]	[inch]	25 °C (77 °F)		90 °C (194 °F)	
		[mbar]	[psi]	[mbar]	[psi]
25	1"	0	0	0	0
32	-	0	0	0	0
40	1 ½"	0	0	0	0
50	2"	0	0	0	0
65	-	0	0	40	0.58
80	3"	0	0	40	0.58
100	4"	0	0	135	1.96
125	-	135	1.96	240	3.48
150	6"	135	1.96	240	3.48
200	8"	200	2.90	290	4.21
250	10"	330	4.79	400	5.80
300	12"	400	5.80	500	7.25

Limiting flow

The diameter of the pipe and the flow rate determine the nominal diameter of the sensor. The optimum flow velocity is between 2 to 3 m/s (6.5 to 9.8 ft/s). The velocity of flow (v), moreover, has to be matched to the physical properties of the fluid:

- v < 2 m/s (6.5 ft/s): for abrasive fluids such as potter's clay, lime milk, ore slurry etc.
- v > 2 m/s (6.5 ft/s): for fluids causing build-up such as wastewater sludges etc.


Flow characteristic values (SI units)

Diameter		Recommended flow Min./max. full scale value (v ~ 0.3 or 10 m/s)	Factory settings		
[mm]	[inch]		Full scale value Current output (v ~ 2.5 m/s)	Pulse value (~ 2 pulses/s)	Low flow cut off (v ~ 0.04 m/s)
25	1"	9 to 300 dm ³ /min	75 dm ³ /min	0.50 dm ³	1 dm ³ /min
32	-	15 to 500 dm ³ /min	125 dm ³ /min	1.00 dm ³	2 dm ³ /min
40	1 1/2"	25 to 700 dm ³ /min	200 dm ³ /min	1.50 dm ³	3 dm ³ /min
50	2"	35 to 1100 dm ³ /min	300 dm ³ /min	2.50 dm ³	5 dm ³ /min
65	-	60 to 2000 dm ³ /min	500 dm ³ /min	5.00 dm ³	8 dm ³ /min
80	3"	90 to 3000 dm ³ /min	750 dm ³ /min	5.00 dm ³	12 dm ³ /min
100	4"	145 to 4700 dm ³ /min	1200 dm ³ /min	10.00 dm ³	20 dm ³ /min
125	-	220 to 7500 dm ³ /min	1850 dm ³ /min	15.00 dm ³	30 dm ³ /min
150	6"	20 to 600 m ³ /h	150 m ³ /h	0.025 m ³	2.5 m ³ /h
200	8"	35 to 1100 m ³ /h	300 m ³ /h	0.05 m ³	5.0 m ³ /h
250	10"	55 to 1700 m ³ /h	500 m ³ /h	0.05 m ³	7.5 m ³ /h
300	12"	80 to 2400 m ³ /h	750 m ³ /h	0.10 m ³	10 m ³ /h
350	14"	110 to 3300 m ³ /h	1000 m ³ /h	0.10 m ³	15 m ³ /h
375	15"	140 to 4200 m ³ /h	1200 m ³ /h	0.15 m ³	20 m ³ /h
400	16"	140 to 4200 m ³ /h	1200 m ³ /h	0.15 m ³	20 m ³ /h
450	18"	180 to 5400 m ³ /h	1500 m ³ /h	0.25 m ³	25 m ³ /h
500	20"	220 to 6600 m ³ /h	2000 m ³ /h	0.25 m ³	30 m ³ /h
600	24"	310 to 9600 m ³ /h	2500 m ³ /h	0.30 m ³	40 m ³ /h
700	28"	420 to 13500 m ³ /h	3500 m ³ /h	0.50 m ³	50 m ³ /h
-	30"	480 to 15000 m ³ /h	4000 m ³ /h	0.50 m ³	60 m ³ /h
800	32"	550 to 18000 m ³ /h	4500 m ³ /h	0.75 m ³	75 m ³ /h
900	36"	690 to 22500 m ³ /h	6000 m ³ /h	0.75 m ³	100 m ³ /h
1000	40"	850 to 28000 m ³ /h	7000 m ³ /h	1.00 m ³	125 m ³ /h
-	42"	950 to 30000 m ³ /h	8000 m ³ /h	1.00 m ³	125 m ³ /h
1200	48"	1250 to 40000 m ³ /h	10000 m ³ /h	1.50 m ³	150 m ³ /h
-	54"	1550 to 50000 m ³ /h	13000 m ³ /h	1.50 m ³	200 m ³ /h
1400	-	1700 to 55000 m ³ /h	14000 m ³ /h	2.00 m ³	225 m ³ /h
-	60"	1950 to 60000 m ³ /h	16000 m ³ /h	2.00 m ³	250 m ³ /h
1600	-	2200 to 70000 m ³ /h	18000 m ³ /h	2.50 m ³	300 m ³ /h
-	66"	2500 to 80000 m ³ /h	20500 m ³ /h	2.50 m ³	325 m ³ /h
1800	72"	2850 to 90000 m ³ /h	23000 m ³ /h	3.00 m ³	350 m ³ /h
-	78"	3300 to 100000 m ³ /h	28500 m ³ /h	3.50 m ³	450 m ³ /h
2000	-	3400 to 110000 m ³ /h	28500 m ³ /h	3.50 m ³	450 m ³ /h
-	84"	3700 to 125000 m ³ /h	31000 m ³ /h	4.50 m ³	500 m ³ /h
2200	-	4100 to 136000 m ³ /h	34000 m ³ /h	4.50 m ³	540 m ³ /h
-	90"	4300 to 143000 m ³ /h	36000 m ³ /h	5.00 m ³	570 m ³ /h
2400	-	4800 to 162000 m ³ /h	40000 m ³ /h	5.50 m ³	650 m ³ /h

Flow characteristic values (US units)

Diameter		Recommended flow rate Min./max. full scale value (v ~ 0.3 or 10 m/s)	Factory settings		
[inch]	[mm]		Full scale value Current output (v ~ 2.5 m/s)	Pulse value (~ 2 pulses/s)	Low flow cut off (v ~ 0.04 m/s)
1	25	2.5 to 80 gal/min	18 gal/min	0.20 gal	0.25 gal/min
1 ½"	40	7 to 190 gal/min	50 gal/min	0.50 gal	0.75 gal/min
2"	50	10 to 300 gal/min	75 gal/min	0.50 gal	1.25 gal/min
–	65	16 to 500 gal/min	130 gal/min	1 gal	2.0 gal/min
3"	80	24 to 800 gal/min	200 gal/min	2 gal	2.5 gal/min
4"	100	40 to 1250 gal/min	300 gal/min	2 gal	4.0 gal/min
–	125	60 to 1950 gal/min	450 gal/min	5 gal	7.0 gal/min
6"	150	90 to 2650 gal/min	600 gal/min	5 gal	12 gal/min
8"	200	155 to 4850 gal/min	1200 gal/min	10 gal	15 gal/min
10"	250	250 to 7500 gal/min	1500 gal/min	15 gal	30 gal/min
12"	300	350 to 10600 gal/min	2400 gal/min	25 gal	45 gal/min
14"	350	500 to 15000 gal/min	3600 gal/min	30 gal	60 gal/min
15"	375	600 to 19000 gal/min	4800 gal/min	50 gal	60 gal/min
16"	400	600 to 19000 gal/min	4800 gal/min	50 gal	60 gal/min
18"	450	800 to 24000 gal/min	6000 gal/min	50 gal	90 gal/min
20"	500	1000 to 30000 gal/min	7500 gal/min	75 gal	120 gal/min
24"	600	1400 to 44000 gal/min	10500 gal/min	100 gal	180 gal/min
28"	700	1900 to 60000 gal/min	13500 gal/min	125 gal	210 gal/min
30"	–	2150 to 67000 gal/min	16500 gal/min	150 gal	270 gal/min
32"	800	2450 to 80000 gal/min	19500 gal/min	200 gal	300 gal/min
36"	900	3100 to 100000 gal/min	24000 gal/min	225 gal	360 gal/min
40"	1000	3800 to 125000 gal/min	30000 gal/min	250 gal	480 gal/min
42"	–	4200 to 135000 gal/min	33000 gal/min	250 gal	600 gal/min
48"	1200	5500 to 175000 gal/min	42000 gal/min	400 gal	600 gal/min
54"	–	9 to 300 Mgal/day	75 Mgal/day	0.0005 Mgal	1.3 Mgal/min
–	1400	10 to 340 Mgal/day	85 Mgal/day	0.0005 Mgal	1.3 Mgal/min
60"	–	12 to 380 Mgal/day	95 Mgal/day	0.0005 Mgal	1.3 Mgal/min
–	1600	13 to 450 Mgal/day	110 Mgal/day	0.0008 Mgal	1.7 Mgal/min
66"	–	14 to 500 Mgal/day	120 Mgal/day	0.0008 Mgal	2.2 Mgal/min
72"	1800	16 to 570 Mgal/day	140 Mgal/day	0.0008 Mgal	2.6 Mgal/min
78"	–	18 to 650 Mgal/day	175 Mgal/day	0.0010 Mgal	3.0 Mgal/min
–	2000	20 to 700 Mgal/day	175 Mgal/day	0.0010 Mgal	3.0 Mgal/min
–	2000	20 to 700 Mgal/day	175 Mgal/day	0.0010 Mgal	2.9 Mgal/day
84"	–	24 to 800 Mgal/day	190 Mgal/day	0.0011 Mgal	3.2 Mgal/day
–	2200	26 to 870 Mgal/day	210 Mgal/day	0.0012 Mgal	3.4 Mgal/day
90"	–	27 to 910 Mgal/day	220 Mgal/day	0.0013 Mgal	3.6 Mgal/day
–	2400	31 to 1030 Mgal/day	245 Mgal/day	0.0014 Mgal	4.1 Mgal/day

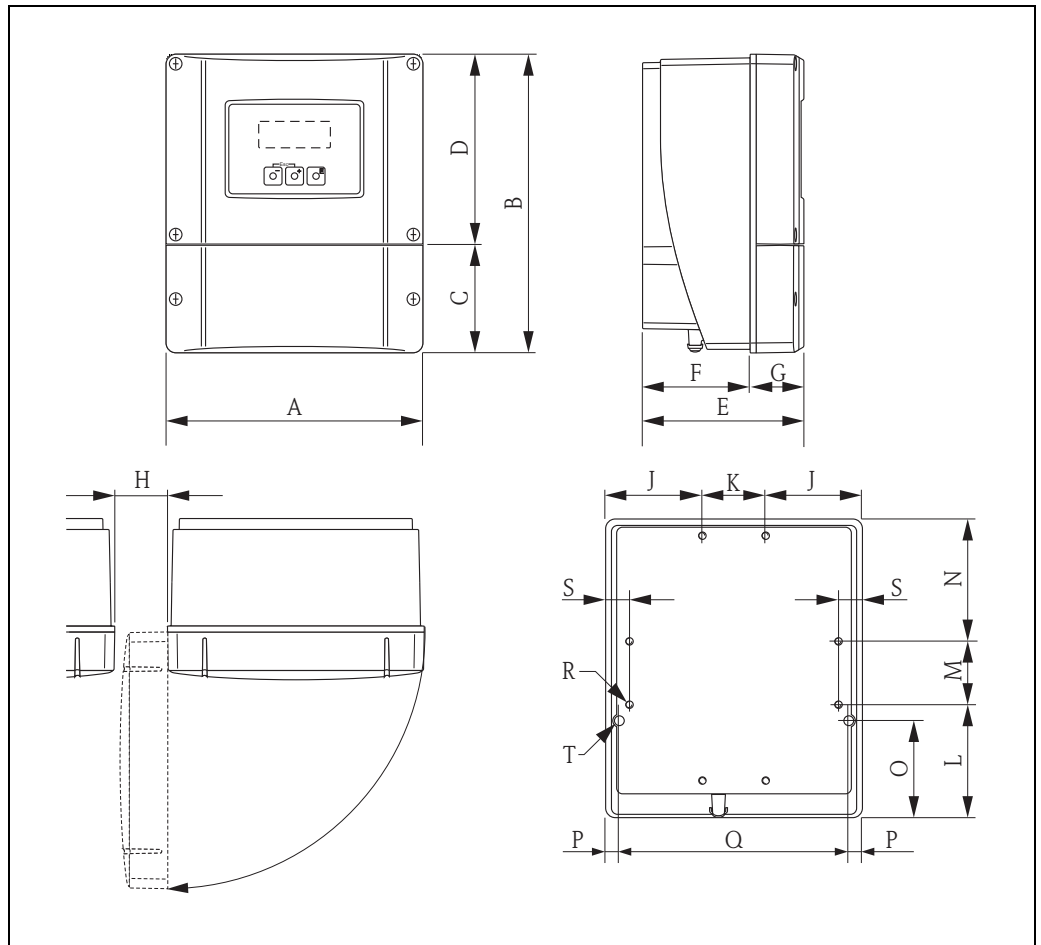
Pressure loss

- No pressure loss if the sensor is installed in a pipe with the same nominal diameter.
- Pressure losses for configurations incorporating adapters according to DIN EN 545 (→  15, Section "Adapters").

Mechanical construction

Design. dimensions

Transmitter remote version, wall-mount housing (non Ex-zone and II3G/Zone 2)



A0001150

Dimensions in SI units

A	B	C	D	E	F	G	H	J	K
215	250	90.5	159.5	135	90	45	> 50	81	53
L	M	N	O	P	Q	R	S	T ¹⁾	
95	53	102	81.5	11.5	192	8 × M5	20	2 × Ø 6.5	

¹⁾ Securing screw for wall mounting: M6 (screw head max. 10.5 mm)

All dimensions in [mm]

Dimensions in US units

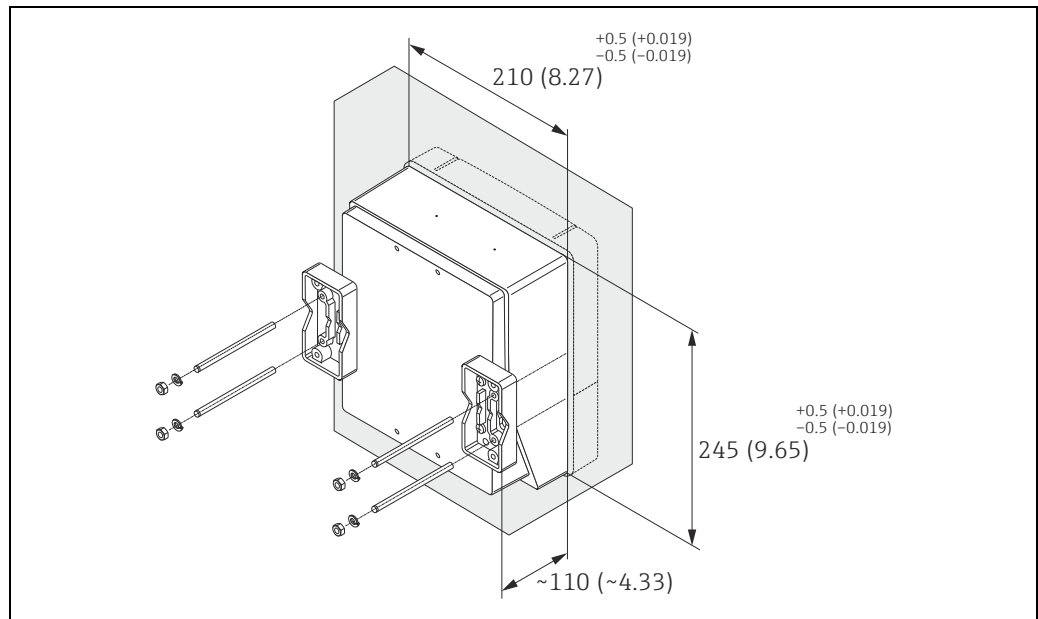
A	B	C	D	E	F	G	H	J	K
8.46	9.84	3.56	6.27	5.31	3.54	1.77	> 1.97	3.18	2.08
L	M	N	O	P	Q	R	S	T ¹⁾	
3.74	2.08	4.01	3.20	0.45	7.55	8 × M5	0.79	2 × Ø 6.5	

¹⁾ Securing screw for wall mounting: M6 (screw head max. 0.41")

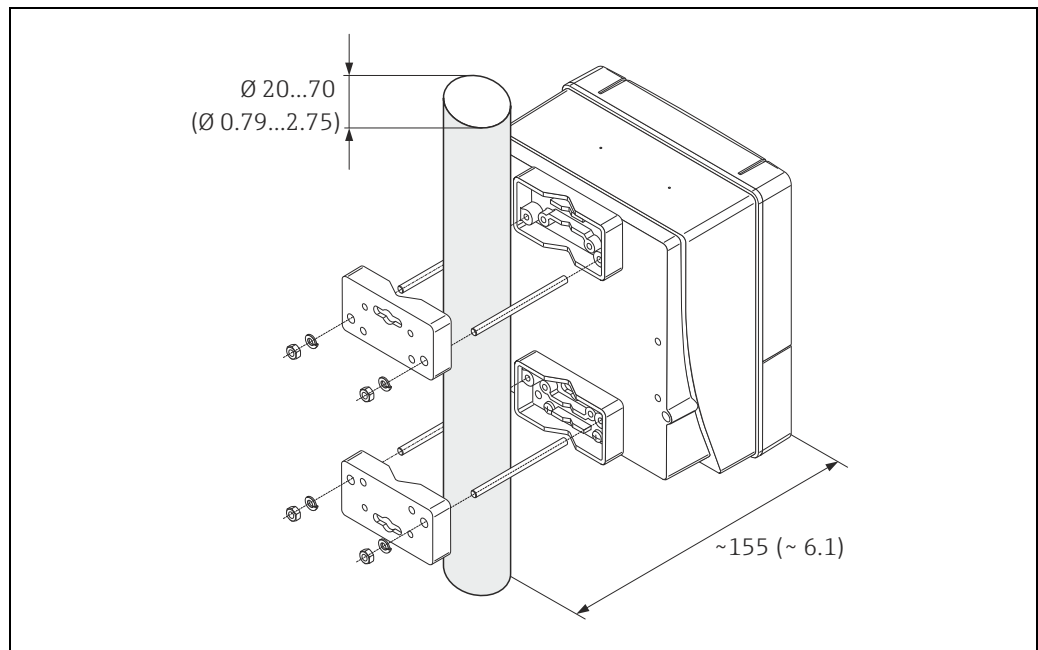
All dimensions in [inch]

There is a separate mounting kit for the wall-mounted housing. It can be ordered from Endress+Hauser as an accessory. The following installation variants are possible:

- Panel-mounted installation
- Pipe mounting

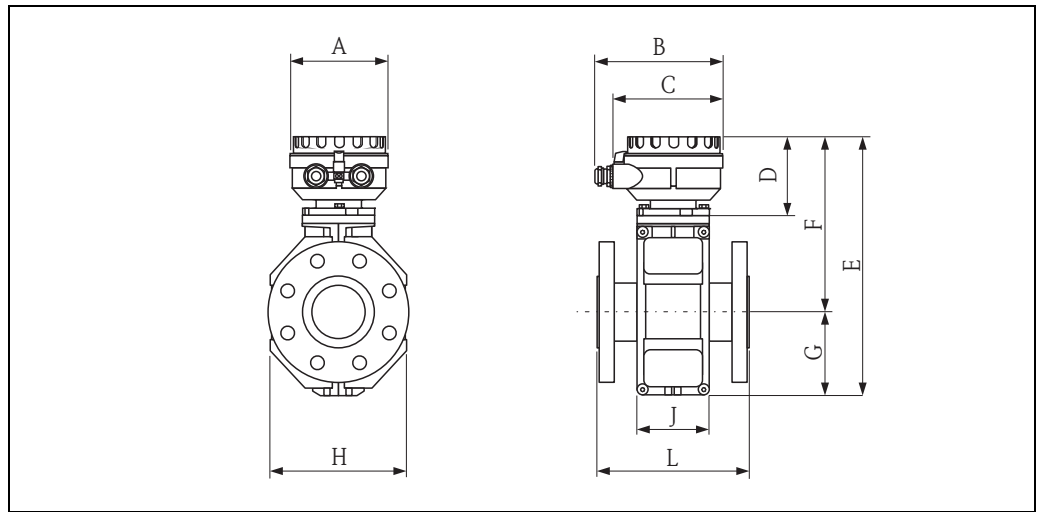


Panel-mounted installation



Pipe mounting

Sensor, remote version, DN 25 to 300 (1 to 12")



A0012462

Dimensions in SI units

DN	L ¹⁾	A	B	C	D	E	F	G	H	J
25	200	129	163	143	102	286	202	84	120	94
32	200					286	202	84	120	94
40	200					286	202	84	120	94
50	200					286	202	84	120	94
65	200					336	227	109	180	94
80	200					336	227	109	180	94
100	250					336	227	109	180	94
125	250					417	267	150	260	140
150	300					417	267	150	260	140
200	350					472	292	180	324	156
250	450					522	317	205	400	156
300	500					572	342	230	460	166

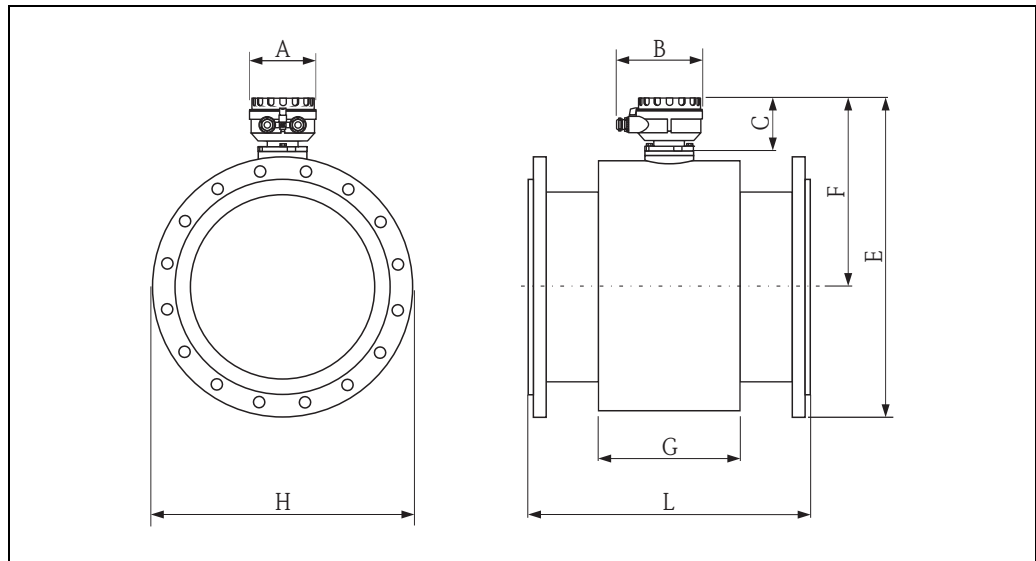
¹⁾ The length (L) is regardless of the pressure rating selected. Fitting length to DVGW.
All dimensions in [mm]

Dimensions in US units

DN	L ¹⁾	A	B	C	D	E	F	G	H	J
1"	7.87	5.08	6.42	5.63	4.02	11.3	7.95	3.32	4.72	3.70
1 ½"	7.87					11.3	7.95	3.32	4.72	3.70
2"	7.87					11.3	7.95	3.32	4.72	3.70
3"	7.87					13.2	8.94	4.30	7.10	3.70
4"	9.84					13.2	8.94	4.30	7.10	3.70
6"	11.8					16.4	10.5	5.91	10.2	5.51
8"	13.8					18.6	11.5	7.10	12.8	6.14
10"	17.7					20.6	12.5	8.08	15.8	6.14
12"	19.7					22.5	13.5	9.06	18.1	6.54

¹⁾ The length (L) is regardless of the pressure rating selected. Fitting length to DVGW.
All dimensions in [inch]

Sensor, remote version, DN 350 to 2400 (14 to 90")



A0014987

Dimensions in SI units

DN	L	A	B	C	F	G
350	550	129	163	102	353	290
375	600				379	290
400	600				379	290
450	600				407	290
500	600				432	290
600	600				473	290
700	700				538	424
750	750				575	454
800	800				594	500
900	900				644	580
1000	1000				694	660
1050	1050				730	755
1200	1200				808	828
1350	1350				920	1008
1400	1400				920	1008
1500	1500				1020	1147
1600	1600				1020	1147
1650	1650				1071	1284
1800	1800				1128	1379
2000	2000				1239	1569
2150	2150	1339	1711			
2200	2200	1339	1711			
2300	2300	1444	1859			
2400	2400	1444	1859			

All dimensions in [mm]

DN	E with pressure rating					H with pressure rating				
	PN 6	PN 10	PN 16	ASME AWWA	AS	PN 6	PN 10	PN 16	ASME AWWA	AS
350	598	605	616	620	615	490	505	520	533	525
375	-	-	-	-	654	-	-	-	-	550
400	649	661	669	677	669	540	565	580	597	580
450	704	714	727	724	727	595	615	640	635	640
500	754	767	790	781	784	645	670	715	699	705
600	850	863	893	879	885	755	780	840	813	825
700	968	985	993	1001	993	860	895	910	927	910
750	-	-	-	1067	1073	-	-	-	984	995
800	1082	1102	1107	1124	1124	975	1015	1025	1060	1060
900	1182	1202	1207	1228	1232	1075	1115	1125	1168	1175
1000	1282	1309	1322	1339	1322	1175	1230	1255	1289	1255
1050	-	-	-	1403	-	-	-	-	1346	-
1200	1511	1536	1551	1564	1553	1405	1455	1485	1511	1490
1350	-	-	-	1762	-	-	-	-	1683	-
1400	1735	1758	1763	-	-	1630	1675	1685	-	-
1500	-	-	-	1947	-	-	-	-	1854	-
1600	1935	1978	1985	-	-	1830	1915	1930	-	-
1650	-	-	-	2087	-	-	-	-	2032	-
1800	2150	2185	2193	2226	-	2045	2115	2130	2197	-
2000	2371	2401	2412	2420	-	2265	2325	2345	2362	-
2150	-	-	-	2606	-	-	-	-	2534	-
2200	2576	2614	-	-	-	2475	2550	-	-	-
2300	-	-	-	2796	-	-	-	-	2705	-
2400	2786	2824	-	-	-	2685	2760	-	-	-

All dimensions in [mm]

Dimensions in US units

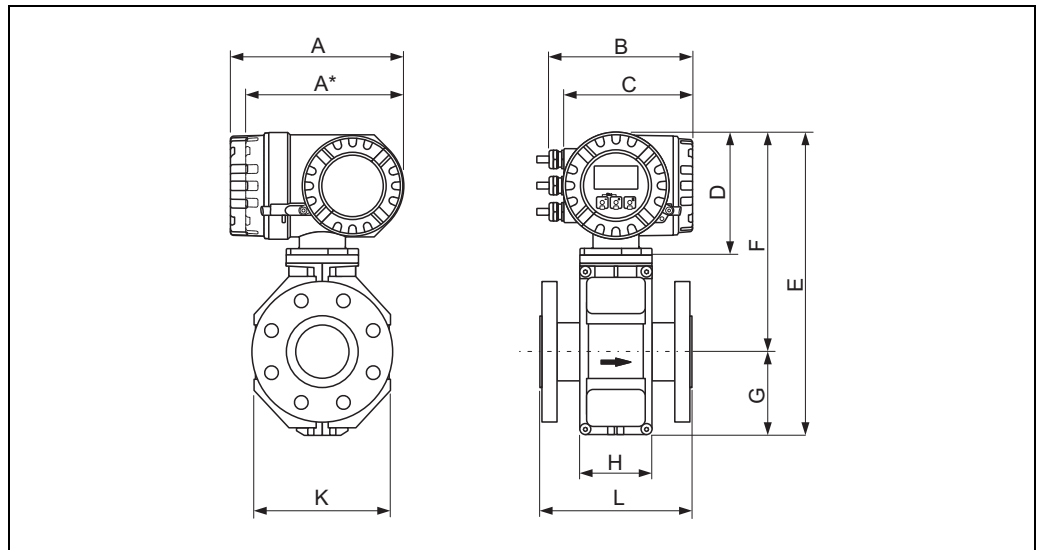
DN	L	A	B	C	F	G
14"	21.6	5.08	6.42	4.02	13.9	11.4
15"	23.6				14.9	11.4
16"	23.6				14.9	11.4
18"	23.6				16.0	11.4
20"	23.6				17.0	11.4
24"	23.6				18.6	11.4
28"	27.6				21.4	16.7
30"	29.5				22.8	17.9
32"	31.5				23.6	19.7
36"	35.4				25.6	22.8
40"	39.4				27.5	26.0
42"	41.3				28.9	29.7
48"	47.2				32.0	32.6
54"	53.1				36.0	39.6
60"	59.0				40.2	45.2
66"	64.9				42.1	50.6
72"	70.8				44.4	54.2
78"	78.7				48.8	61.8
84"	84.6				52.7	67.4
90"	90.5				56.9	73.2

All dimensions in [inch]

DN	E with pressure rating					H with pressure rating				
	PN 6	PN 10	PN 16	ASME AWWA	AS	PN 6	PN 10	PN 16	ASME AWWA	AS
14"	23.5	23.8	24.3	24.4	24.2	19.3	19.9	20.5	21.0	20.7
15"	-	-	-	-	25.7	-	-	-	-	21.7
16"	25.6	26.0	26.3	26.7	26.3	21.3	22.2	22.8	23.5	22.8
18"	27.7	28.1	28.6	28.5	28.6	23.4	24.2	25.2	25.0	25.2
20"	29.7	30.2	31.1	30.7	30.9	25.4	26.4	28.1	27.5	27.8
24"	33.5	34.0	35.2	34.6	34.8	29.7	30.7	33.1	32.0	32.5
28"	38.1	39.0	39.1	39.6	39.3	33.9	35.2	35.8	36.5	35.8
30"	-	-	-	42.2	42.4	-	-	-	38.7	39.2
32"	42.6	43.6	43.6	44.4	44.4	38.4	40.0	40.4	41.7	41.7
36"	46.5	47.5	47.5	48.5	48.7	42.3	43.9	44.3	46.0	46.3
40"	50.5	51.7	52.0	52.9	52.2	46.3	48.4	49.4	50.7	49.4
42"	-	-	-	55.4	-	-	-	-	53.0	-
48"	59.5	60.6	61.1	61.8	61.3	55.3	57.3	58.5	59.5	58.7
54"	-	-	69.4	69.4	-	-	-	66.3	66.3	-
60"	-	-	78.1	76.7	-	-	-	76.0	73.0	-
66"	-	-	-	82.2	-	-	-	-	80.0	-
72"	84.7	86.0	86.3	87.66	-	80.5	83.3	83.9	86.5	-
78"	93.4	94.5	95.0	95.3	-	89.2	91.5	92.3	93.0	-
84"	-	-	-	102.6	-	-	-	-	99.8	-
90"	-	-	-	110.1	-	-	-	-	106.5	-

All dimensions in [inch]

Compact version, DN 25 to 300 (1 to 12")



A0005423

Dimensions in SI units

DN	L ¹⁾	A	A*	B	C	D	E	F	G	H	K
25	200	227	207	187	168	160	341	257	84	94	120
32	200						341	257	84	94	120
40	200						341	257	84	94	120
50	200						341	257	84	94	120
65	200						391	282	109	94	180
80	200						391	282	109	94	180
100	250						391	282	109	94	180
125	250						472	322	150	140	260
150	300						472	322	150	140	260
200	350						527	347	180	156	324
250	450						577	372	205	156	400
300	500						627	397	230	166	460

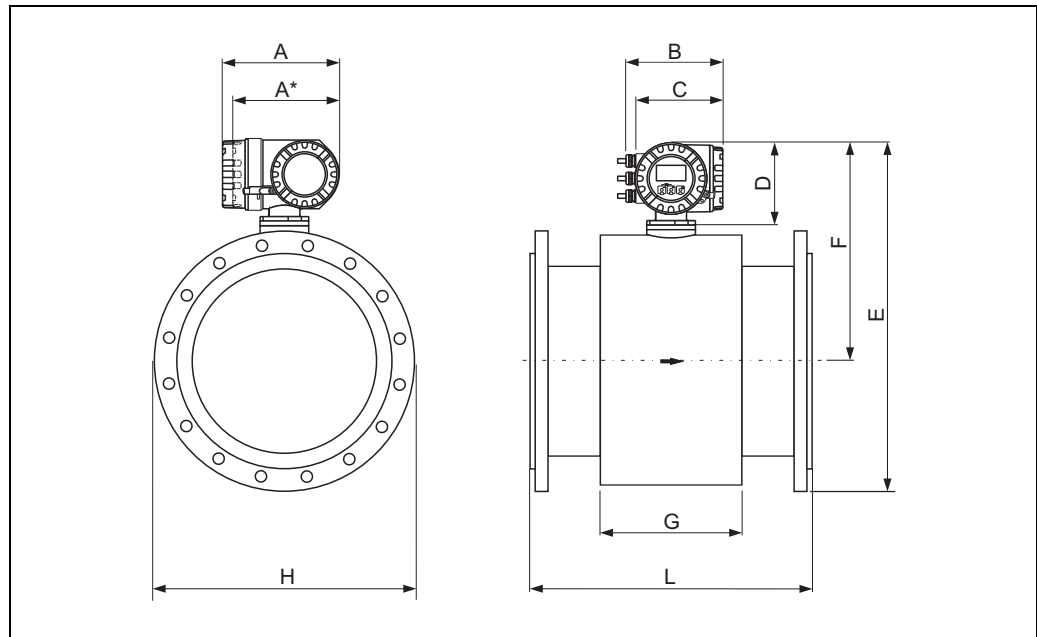
¹⁾ The length (L) is regardless of the pressure rating selected. Fitting length to DVGW.
All dimensions in [mm]

Dimensions in US units

DN	L ¹⁾	A	A*	B	C	D	E	F	G	H	K
1"	7.87	8.94	8.15	7.36	6.61	6.30	13.4	10.1	3.32	3.70	4.72
1½"	7.87						13.4	10.1	3.32	3.70	4.72
2"	7.87						13.4	10.1	3.32	3.70	4.72
3"	7.87						15.4	11.1	4.30	3.70	7.10
4"	9.84						15.4	11.1	4.30	3.70	7.10
6"	11.8						18.6	12.7	5.91	5.51	10.2
8"	13.8						20.8	13.7	7.10	6.14	12.8
10"	17.7						22.7	14.7	8.08	6.14	15.8
12"	19.7						24.7	15.6	9.06	6.54	18.1

¹⁾ The length (L) is regardless of the pressure rating selected. Fitting length to DVGW.
All dimensions in [inch]

Compact version, DN 350 to 2400 (14 to 90")



A0014951

Dimensions in SI units

DN	L	A	A*	B	C	D	F	G
350	550	227	207	187	168	160	411	290
375	600						437	290
400	600						437	290
450	600						465	290
500	600						490	290
600	600						531	290
700	700						596	424
750	750						633	454
800	800						652	500
900	900						702	580
1000	1000						752	660
1050	1050						788	755
1200	1200						866	828
1350	1350						978	1008
1400	1400						978	1008
1500	1500						1078	1147
1600	1600						1078	1147
1650	1650						1129	1284
1800	1800						1186	1379
2000	2000						1297	1569
2150	2150	1397	1711					
2200	2200	1397	1711					
2300	2300	1502	1859					
2400	2400	1502	1859					

All dimensions in [mm]

DN	E at pressure rating					H at pressure rating				
	PN 6	PN 10	PN 16	ASME AWWA	AS	PN 6	PN 10	PN 16	ASME AWWA	AS
350	656	663	664	678	673	490	505	568	533	525
375	-	-	-	-	712	-	-	-	-	550
400	707	719	717	735	727	540	565	628	597	580
450	762	772	775	782	785	595	615	688	635	640
500	812	825	838	839	842	645	670	763	699	705
600	908	921	941	937	943	755	780	888	813	825
700	1026	1043	1041	1059	1051	860	895	958	927	910
750	-	-	-	1125	1131	-	-	-	984	995
800	1140	1160	1155	1182	1182	975	1015	1073	1060	1060
900	1240	1260	1255	1286	1290	1075	1115	1173	1168	1175
1000	1340	1367	1370	1397	1380	1175	1230	1303	1289	1255
1050	-	-	-	1461	-	-	-	-	1346	-
1200	1569	1594	1599	1622	1611	1405	1455	1533	1511	1490
1350	-	-	-	1820	-	-	-	-	1683	-
1400	1793	1816	1811	-	-	1630	1675	1733	-	-
1500	-	-	-	2005	-	-	-	-	1854	-
1600	1993	2036	2033	-	-	1830	1915	1978	-	-
1650	-	-	-	2145	-	-	-	-	2032	-
1800	2208	2243	2241	2284	-	2045	2115	2478	2197	-
2000	2429	2459	2460	2478	-	2265	2325	2393	2362	-
2150	-	-	-	2664	-	-	-	-	2534	-
2200	2634	2672	-	-	-	2475	2550	-	2705	-
2300	-	-	-	2854	-	-	-	-	-	-
2400	2844	2882	-	-	-	2685	2760	-	-	-

All dimensions in [mm]

Dimensions in US units

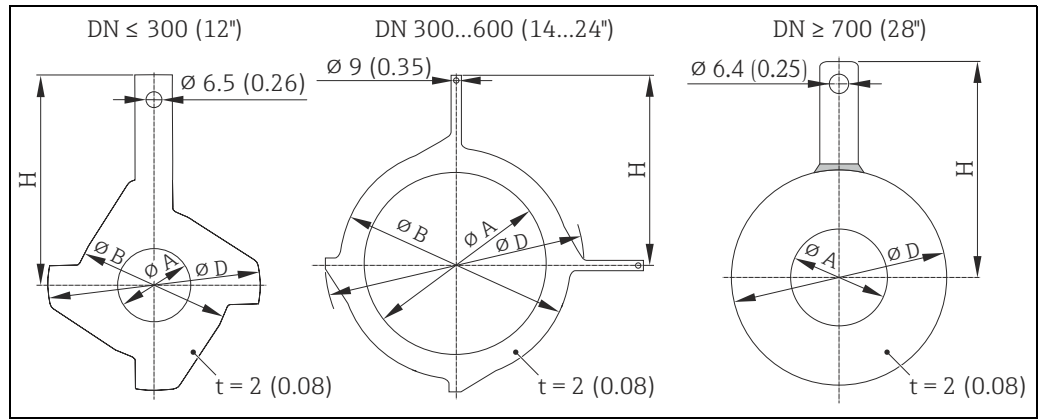
DN	L	A	A*	B	C	D	F	G
14"	21.6	8.94	8.15	7.36	6.61	6.30	16.2	11.4
15"	23.6						17.2	11.4
16"	23.6						17.2	11.4
18"	23.6						18.3	11.4
20"	23.6						19.3	11.4
24"	23.6						20.9	11.4
28"	27.6						23.6	16.7
30"	29.5						25.1	17.9
32"	31.5						25.9	19.7
36"	35.4						27.8	22.8
40"	39.4						29.8	26.0
42"	41.3						31.2	29.7
48"	47.2						34.3	32.6
54"	53.1						38.5	39.7
60"	59.0						42.4	45.27
66"	64.9						44.5	50.6
72"	70.8						46.7	54.3
78"	78.7	51.0	61.8					
84"	84.6	55.0	67.4					
90"	90.5	59.1	73.2					

All dimensions in [inch]

DN	E at pressure rating:					H at pressure rating:				
	PN 6	PN 10	PN 16	ASME AWWA	AS	PN 6	PN 10	PN 16	ASME AWWA	AS
14"	25.8	26.1	26.1	26.7	26.5	19.3	19.9	22.4	21.0	20.7
15"	-	-	-	-	28.0	-	-	-	-	21.7
16"	27.8	28.3	28.2	28.9	28.6	21.3	22.2	24.7	23.5	22.8
18"	30.0	30.4	30.5	30.8	30.9	23.4	24.2	27.1	25.0	25.2
20"	32.0	32.5	33.0	33.0	33.1	25.4	26.4	30.0	27.5	27.8
24"	35.8	36.3	37.0	36.9	37.1	29.7	30.7	35.0	32.0	32.5
28"	40.6	41.3	41.0	41.9	41.6	33.9	35.2	37.7	36.5	35.8
30"	-	-	-	44.5	44.7	-	-	-	38.7	39.2
32"	45.1	45.8	45.5	46.7	46.7	38.4	40.0	42.2	41.7	41.7
36"	49.0	49.8	49.4	50.8	51.0	42.3	43.9	46.2	46.0	46.3
40"	52.9	54.0	53.9	55.2	54.5	46.3	48.4	51.3	50.7	49.4
42"	-	-	-	57.7	-	-	-	-	53.0	-
48"	61.9	62.9	63.0	64.0	63.6	55.3	57.3	60.4	59.5	58.7
54"	-	-	71.3	71.7	-	-	-	68.2	66.3	-
60"	-	-	80.0	78.9	-	-	-	77.9	73.0	-
66"	-	-	-	84.5	-	-	-	-	80.0	-
72"	87.0	88.3	88.2	89.9	-	80.5	83.3	97.6	86.5	-
78"	95.6	96.8	96.6	97.6	-	89.2	91.5	94.2	93.0	-
84"	-	-	-	104.9	-	-	-	-	99.8	-
90"	-	-	-	112.4	-	-	-	-	-	-

All dimensions in [inch]

Ground disk



A0015442

Dimensions in SI and US units

DN		Pressure rating	A		B		D		H	
[mm]	[inch]		[mm]	[inch]	[mm]	[inch]	[mm]	[inch]	[mm]	[inch]
25	1"	1)	26	1.02	62	2.44	77.5	3.05	87.5	3.44
32	-	1)	35	-	80	-	87.5	-	94.5	-
40	1 1/2"	1)	41	1.61	82	3.23	101.0	3.98	103	4.06
50	2"	1)	52	2.05	101	3.98	115.5	4.55	108	4.25
65	2 1/2"	1)	68	2.68	121	4.76	131.5	5.18	118	4.65
80	3"	1)	80	3.15	131	5.16	154.5	6.08	135	5.31
100	4"	1)	104	4.09	156	6.14	186.5	7.34	153	6.02
125	5"	1)	130	5.12	187	7.36	206.5	8.13	160	6.30
150	6"	1)	158	6.22	217	8.54	256	10.08	184	7.24
200	8"	1)	206	8.11	267	10.51	288	11.34	205	8.07
250	10"	1)	260	10.24	328	12.91	359	14.13	240	9.45
300	12"	1)	312	12.28	375	14.76	413	16.26	273	10.75
350	14"	DIN, PN 6	343	13.50	420	16.54	479	18.86	365	14.37
		DIN, PN 10/16								
		ASME, Cl.150								
375	15"	PN 16	393	15.5	461	18.15	523	20.6	395	15.6
400	16"	DIN, PN 6	393	15.47	470	18.50	542	21.34	395	15.55
		DIN, PN 10/16								
		ASME, Cl.150								
450	18"	DIN, PN 6	439	17.28	525	20.67	583	22.95	417	16.42
		DIN, PN 10/16								
		ASME, Cl.150								
500	20"	DIN, PN 6	493	19.41	575	22.64	650	25.59	460	18.11
		DIN, PN 10/16								
		ASME, Cl.150								
600	24"	DIN, PN 6	593	23.35	676	26.61	766	30.16	522	20.55
		DIN, PN 10/16								
		ASME, Cl.150								
700	28"	DIN, PN 6	697	27.44	-	-	786	30.94	460	18.11
		DIN, PN 10	693	27.28	-	-	813	32.01	480	18.9
		AS, PN 16	687	27.05	-	-	807	31.77	490	19.29
		AWWA, Class D	693	27.28	-	-	832	32.76	494	19.45

DN		Pressure rating	A		B		D		H	
[mm]	[inch]		[mm]	[inch]	[mm]	[inch]	[mm]	[inch]	[mm]	[inch]
750	30"	AS, PN 16								
		AWWA, Class D	743	29.25	-	-	833	32.8	523	20.59
800	32"	DIN, PN 6	799	31.46	-	-	893	35.16	520	20.47
		DIN, PN 10	795	31.30	-	-	920	36.22	540	21.26
		AS, PN 16	789	31.06	-	-	914	35.98	550	21.65
		AWWA, Class D	795	31.30	-	-	940	37.01	561	22.09
900	36"	DIN, PN 6	897	35.31	-	-	993	39.09	570	22.44
		DIN, PN 10	893	35.16	-	-	1020	40.16	590	23.23
		AS, PN 16	886	34.88	-	-	1014	39.92	595	23.43
		AWWA, Class D	893	35.16	-	-	1048	41.26	615	24.21
1000	40"	DIN, PN 6	999	39.33	-	-	1093	43.03	620	24.41
		DIN, PN 10	995	39.17	-	-	1127	44.37	650	25.59
		AS, PN 16	988	38.90	-	-	1131	44.53	660	25.98
		AWWA, Class D	995	39.17	-	-	1163	45.79	675	26.57
1050	42"	AWWA, Class D	1044	41.10	-	-	1220	48.03	704	27.72
1200	48"	DIN, PN 6	1203	47.36	-	-	1310	51.57	733	28.86

1) Ground disks can be used for all flange norms/ pressure ratings.

Weight

SI units

Compact version (lap joint flanges / welded flanges DN > 300/12")

Nominal diameter		Compact version (including transmitter)										
[mm]	[inch]	EN (DIN)						ASME/ AWWA	AS			
25	1"	-	-	-	-	7.3	-	7.9	-	-	-	-
32	1 ¼"	-	-	-	-	8.0	-	-	-	-	-	-
40	1 ½"	-	-	-	-	9.0	-	7.5	-	-	-	-
50	2"	-	-	-	-	9.4	-	7.6	-	-	-	-
65	2 ½"	-	-	-	-	10.4	-	-	-	-	-	-
80	3"	-	-	-	-	12.4	-	12.8	-	-	-	-
100	4"	-	-	-	-	14.4	-	16.1	-	-	-	-
125	5"	-	-	-	-	15.9	-	-	-	-	-	-
150	6"	-	-	-	-	23.9	-	24.4	-	-	-	-
200	8"	-	-	43.4	-	44.9	-	49.6	-	-	-	-
250	10"	-	-	63.4	-	70.7	-	75.1	-	-	-	-
300	12"	-	-	68.4	-	85.8	-	100	-	-	-	-
350	14"	77.4	-	88.4	-	103	-	137	99.4	-	-	99.4
375	15"	-	-	-	-	-	-	-	105	-	-	-
400	16"	89.4	-	104	-	124	-	168	120	-	-	120
450	18"	99.4	-	112	-	139	-	191	133	-	-	143
500	20"	114	-	132	-	174	-	228	182	-	-	182
600	24"	155	-	162	-	303	-	302	260	-	-	260
700	28"	190	-	240	-	288	-	266	367	-	-	346
750	30"	-	-	-	-	-	-	318	445	-	-	433
800	32"	240	-	315	-	364	-	383	503	-	-	493
900	36"	308	-	393	-	456	-	470	702	-	-	690
1000	40"	359	-	468	-	579	-	587	759	-	-	761
1050	42"	-	-	-	-	-	-	670	-	-	-	-
1200	48"	529	-	717	-	866	-	901	-	-	-	1237
-	54"	-	-	-	-	-	-	1273	-	-	-	-
1400	-	784	-	1114	-	1274	-	-	-	-	-	-
-	60"	-	-	-	-	-	-	1594	-	-	-	-
1600	-	1058	-	1624	-	1872	-	-	-	-	-	-
1650	66"	-	-	-	-	-	-	2131	-	-	-	-
1800	72"	1418	-	2107	-	2409	-	2568	-	-	-	-
2000	78"	1877	-	2630	-	2997	-	3113	-	-	-	-
-	84"	-	-	-	-	-	-	3755	-	-	-	-
2200	-	2512	-	3422	-	-	-	-	-	-	-	-
-	90"	-	-	-	-	-	-	4797	-	-	-	-
2400	-	2996	-	4094	-	-	-	-	-	-	-	-

Transmitter Promag (compact version): 3.1 kg
(Weight data valid without packaging material)

Remote version (lap joint flanges / welded flanges DN > 300/12")

Weight data in kg													
Nominal diameter		Remote version (sensor plus sensor housing without cable)											
[mm]	[inch]	EN (DIN)						ASME/ AWWA	AS				
25	1"		-		-		5.3		5.9		-		-
32	1 ¼"		-		-		6.0		-		-		-
40	1 ½"		-		-		7.0		5.5		-		-
50	2"		-		-		7.4		5.6		-		-
65	2 ½"		-		-		8.4		-		-		-
80	3"		-		-		10.4		10.8		-		-
100	4"		-		-		12.4		14.1		-		-
125	5"		-		-		13.9		-		-		-
150	6"		-		-		21.9		22.4		-		-
200	8"		-		41.4		42.9		47.6		-		-
250	10"		-		61.4		68.7		73.1		-		-
300	12"		-		66.4		83.8		98		-		-
350	14"		75.4		86.4		103		135		97.4		97.4
375	15"		-		102		-		-		103		-
400	16"		87.4		102		124		166		118		118
450	18"		97.4		110		139		189		131		141
500	20"		112		130		174		226		180		180
600	24"	PN 6	153	PN 10	160	PN 16	303	ASME / Class 150	300	PN 16	258	Tabelle E	258
700	28"		188		238		288		264		365		344
750	30"		-		-		-		316		443		431
800	32"		238		313		364		381		501		491
900	36"		306		391		456		468		700		688
1000	40"		357		466		579		585		757		759
1050	42"		-		-		-		668		-		-
1200	48"		527		715		866		899		-		1235
-	54"		-		-		-		1271		-		-
1400	-		782		1112		1274		-		-		-
-	60"		-		-		-		1592		-		-
1600	-		1056		1622		1872		-		-		-
1650	66"		-		-		-		2129		-		-
1800	72"		1416		2105		2409		2566		-		-
2000	78"		1875		2628		2997		3111		-		-
-	84"		-		-		-		3753		-		-
2200	-		2510		3420		-		-		-		-
-	90"		-		-		-		4795		-		-
2400	-		2994		4092		-		-		-		-
Transmitter Promag (remote version): 3.4 kg (Weight data valid without packaging material)													

Lap joint flanges, stamped plate

Weight data in kg		Compact version		Remote version (without cable)		
Nominal diameter		EN (DIN)		Sensor EN (DIN)	Transmitter	
[mm]	[inch]					
25	1"	PN 10	5.8	PN 10	3.8	4.2
32	1 ¼"		5.4		3.4	4.2
40	1 ½"		6.3		4.7	4.2
50	2"		5.4		3.4	4.2
65	2 ½"		6.2		4.2	4.2
80	3"		7.2		5.2	4.2
100	4"		9.7		7.7	4.2
125	5"		13.2		11.2	4.2
150	6"		17.2		15.2	4.2
200	8"		35.7		33.7	4.2
250	10"		54.2		52.2	4.2
300	12"		55.2		53.2	4.2

Transmitter Promag (compact version): 1.8 kg
 (Weight data valid for standard pressure ratings and without packaging material)

US units

ASME/AWWA (lap joint flanges / welded flanges DN > 300/12")

Weight data in lbs					
Nominal diameter		Compact version		Remote version	
[mm]	[inch]	ASME/AWWA		ASME/AWWA	
25	1"	ASME / Class 150	17.4	ASME / Class 150	13
32	1 ¼"		-		-
40	1 ½"		16.5		12.1
50	2"		16.8		12.3
65	2 ½"		-		-
80	3"		28.2		23.8
100	4"		35.5		31.1
125	5"		-		-
150	6"		53.8		49.4
200	8"		109		105
250	10"		166		161
300	12"		221		216
350	14"		302		298
375	15"		-		-
400	16"		370		366
450	18"		421		417
500	20"		503		498
600	24"	666	662		
700	28"	AWWA / Class D	587	AWWA / Class D	582
750	30"		701		697
800	32"		845		840
900	36"		1036		1032
1000	40"		1294		1290
1050	42"		1477		1473
1200	48"		1987		1982
-	54"		2807		2803
1400	-		-		-
-	60"		3515		3510
1600	-		-		-
1650	66"		4699		4694
1800	72"		5662		5658
2000	78"		6864		6860
-	84"		8280		8275
2200	-		-		-
-	90"		10577		10573
2400	-	-	-		

Transmitter Promag (compact version): 4.0 lbs
Transmitter Promag (remote version): 6.8 lbs
(Weight data valid without packaging material)

Measuring tube specifications

Internal diameter for pressure rating EN (DIN), AS 2129, AS 4087, ASME and AWWA

Nominal diameter		Pressure rating			Internal diameter measuring tube					
		EN (DIN)	AS 2129 AS 4087	ASME AWWA	Hard rubber		Polyurethane		PTFE	
[mm]	[inch]				[mm]	[inch]	[mm]	[inch]	[mm]	[inch]
25	1"	PN 10/16	-	Class 150	-	-	23.7	0.95	25.3	1.0
32	1 ¼"	PN 10/16	-	Class 150	-	-	32.4	1.28	34.0	1.3
40	1 ½"	PN 10/16	-	Class 150	-	-	38.3	1.5	39.9	1.6
50	2"	PN 10/16	-	Class 150	-	-	50.3	2.0	51.9	2.0
65*	2"	PN 10/16	-	Class 150	-	-	66.1	2.6	67.7	2.7
80	3"	PN 10/16	-	Class 150	-	-	78.9	3.1	79.9	3.1
100	4"	PN 10/16	-	Class 150	-	-	104.3	4.1	103.8	4.1
125	5"	PN 10/16	-	Class 150	-	-	129.7	5.1	129.1	5.1
150	6"	PN 10/16	-	Class 150	-	-	158.3	6.2	156.3	6.2
200	8"	PN 10	-	-	-	-	206.7	8.1	202.1	8.0
		PN 16	-	Class 150	-	-	205.1	8.1	200.5	7.9
250	10"	PN 10	-	-	-	-	260.6	10.3	256.2	10.1
		PN 16	-	Class 150	-	-	259.0	10.2	254.6	10.0
300	12"	PN 10	-	-	-	-	311.5	12.3	305.5	12.0
		PN 16	-	Class 150	-	-	309.9	12.2	303.9	12.0
350	14"	PN 6	-	-	341	13.4	344	13.5	-	-
		PN 10	-	-	341	13.4	344	13.5	-	-
		PN 16	-	-	339	13.3	342	13.4	-	-
		-	PN 16 Table E	-	339	13.3	342	13.4	-	-
		-	-	Class 150	339	13.3	342	13.4	-	-
375	15"	-	PN 16	-	389	15.3	392	15.4	-	-
400	16"	PN 6	-	-	391	15.4	394	15.5	-	-
		PN 10	-	-	391	15.4	394	15.5	-	-
		PN 16	-	-	389	15.3	392	15.4	-	-
		-	PN 16 Table E	-	389	15.3	392	15.4	-	-
		-	-	Class 150	387	15.2	390	15.3	-	-
450	18"	PN 6	-	-	442	17.4	445	17.5	-	-
		PN 10	-	-	442	17.4	445	17.5	-	-
		PN 16	-	-	440	17.3	443	17.4	-	-
		-	PN 16 Table E	-	440	17.3	443	17.4	-	-
		-	-	Class 150	438	17.2	441	17.3	-	-
500	20"	PN 6	-	-	493	19.4	496	19.5	-	-
		PN 10	-	-	491	19.3	494	19.3	-	-
		PN 16	-	-	489	19.2	492	19.3	-	-
		-	PN 16 Table E	-	489	19.2	492	19.3	-	-
		-	-	Class 150	487	19.2	490	19.2	-	-
600	24"	PN 6	-	-	595	23.4	598	23.5	-	-
		PN 10	-	-	593	23.3	596	23.5	-	-
		PN 16	-	-	591	23.3	594	23.4	-	-
		-	PN 16 Table E	-	591	23.3	594	23.4	-	-
		-	-	Class 150	589	23.2	592	23.3	-	-
700	28"	PN 6	-	-	696	27.4	699	27.5	-	-
		PN 10	-	-	694	27.3	697	27.4	-	-
		PN 16	-	-	694	27.2	693	27.3	-	-
		-	PN 16 Table E	-	690	27.2	693	27.3	-	-
		-	-	Class D	694	27.3	697	27.4	-	-
750	30"	-	PN 16 Table E	-	741	29.2	744	29.3	-	-
		-	-	Class D	743	29.3	746	29.4	-	-

Nominal diameter		Pressure rating			Internal diameter measuring tube					
		EN (DIN)	AS 2129 AS 4087	ASME AWWA	Hard rubber		Polyurethane		PTFE	
[mm]	[inch]				[mm]	[inch]	[mm]	[inch]	[mm]	[inch]
800	32"	PN 6	-	-	798	31.4	801	31.5	-	-
		PN 10	-	-	796	31.3	799	31.5	-	-
		PN 16	-	-	788	31.0	791	31.1	-	-
		-	PN 16 Table E	-	792	31.2	795	31.3	-	-
		-	-	Class D	794	31.3	797	31.4	-	-
900	36"	PN 6	-	-	897	35.3	900	35.4	-	-
		PN 10	-	-	895	35.2	898	35.4	-	-
		PN 16	-	-	889	35.0	892	35.1	-	-
		-	PN 16 Table E	-	889	35.0	892	35.1	-	-
		-	-	Class D	895	35.2	898	35.4	-	-
1000	40"	PN 6	-	-	999	39.3	1002	39.4	-	-
		PN 10	-	-	997	39.2	1000	39.4	-	-
		PN 16	-	-	991	39.0	994	39.1	-	-
		-	PN 16 Table E	-	991	39.0	994	39.1	-	-
		-	-	Class D	995	39.2	998	39.3	-	-
1050	42"	-	-	Class D	1046	41.2	1049	41.3	-	-
1200	48"	PN 6	-	-	1203	47.4	1206	47.5	-	-
		PN 10	-	-	1199	47.2	1202	47.3	-	-
		PN 16	-	-	1191	46.9	1194	47.0	-	-
		-	PN 16 Table E	-	1191	46.9	1194	47.0	-	-
		-	-	Class D	1195	47.0	1198	47.2	-	-
-	54"	-	-	Class D	1346	53.0	-	-	-	-
1400	-	PN 6	-	-	1419	55.9	-	-	-	-
		PN 10	-	-	1395	54.9	-	-	-	-
		PN 16	-	-	1387	54.6	-	-	-	-
-	60"	-	-	Class D	1499	59.0	-	-	-	-
1600	-	PN 6	-	-	1601	63.0	-	-	-	-
		PN 10	-	-	1591	62.6	-	-	-	-
		PN 16	-	-	1581	62.2	-	-	-	-
-	66"	-	-	Class D	1647	53.0	-	-	-	-
1800	72"	PN 6	-	-	1801	70.9	-	-	-	-
		PN 10	-	-	1791	70.5	-	-	-	-
		PN 16	-	-	1781	70.1	-	-	-	-
		-	-	Class D	1791	70.5	-	-	-	-
2000	78"	PN 6	-	-	1999	78.7	-	-	-	-
		PN 10	-	-	1991	78.4	-	-	-	-
		PN 16	-	-	1979	77.9	-	-	-	-
		-	-	Class D	1987	78.2	-	-	-	-
-	84"	-	-	Class D	2100	82.7	-	-	-	-
2200	-	PN 6	-	-	2195	86.4	-	-	-	-
		PN 10	-	-	2187	86.1	-	-	-	-
		-	-	Class D	1987	78.2	-	-	-	-
-	90"	-	-	Class D	2247	88.5	-	-	-	-
2400	-	PN 6	-	-	2395	94.3	-	-	-	-
		PN 10	-	-	2387	94.0	-	-	-	-

* Auslegung gemäß EN 1092-1 (nicht nach DIN 2501)

Material

- Transmitter housing:
 - Compact housing: powder-coated die-cast aluminum
 - Wall-mounted housing: powder-coated die-cast aluminum
- Sensor housing
 - DN 25 to 300 (1 to 12"): powder-coated die-cast aluminum
 - DN 350 to 1200 (14 to 48"): with protective lacquering
- Measuring tube:
 - DN ≤ 300 (12"); stainless steel 1.4301/304 or 1.4306/304L
 - DN ≥ 350 (14"); stainless steel 202 or 304
- Electrodes: 1.4435/316L, Alloy C22
- Flanges (All lap joint flanges made from carbon steel are hot-dip galvanized):
 - EN 1092-1 (DIN 2501): DN ≤ 300: 1.4306/304L; 1.4307/304L; 1.4301/304; 1.0038 (S235JRG2)
 - EN 1092-1 (DIN 2501): DN ≥ 350: A105; 1.0038 (S235JRG2)
 - ASME: A105; 316L
 - AWWA: A181/A105; 1.0425/316L (P265GH); 1.0044 (S275JR)
 - AS 2129: A105; 1.0345 (P235GH); 1.0425/316L (P265GH); 1.0038 (S235JRG2); FE 410 WB
 - AS 4087: A105; 1.0425/316L (P265GH); 1.0044 (S275JR)
- Seals: to DIN EN 1514-1
- Ground disks: 1.4435/316L or Alloy C22

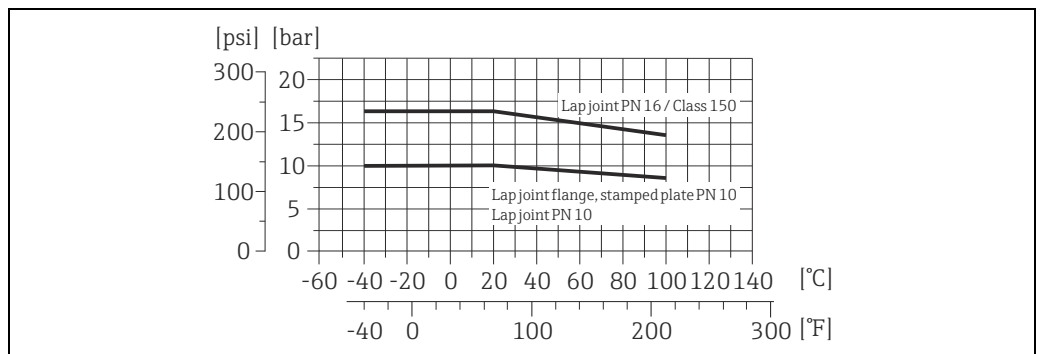
Pressure-temperature ratings



Caution!

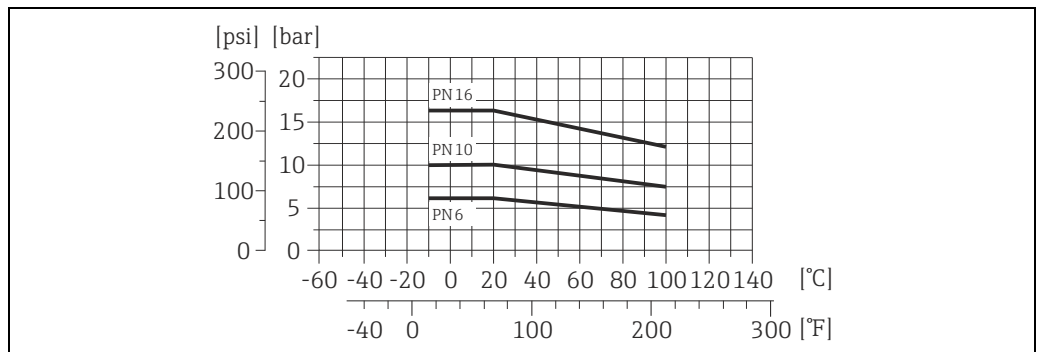
- The following diagrams contain allowable operating pressures as a function of the medium temperature. However, the maximum medium temperatures permitted always depend on the lining material of the sensor and/or the sealing material (→ 18).
- Permitted test pressure = 1.5 × nominal pressure

Process connection: lap joint flange/lap joint flange, stamped plate according to EN 1092-1 (DIN 2501) and ASME B16.5; DN 25 to 300 (1 to 12")

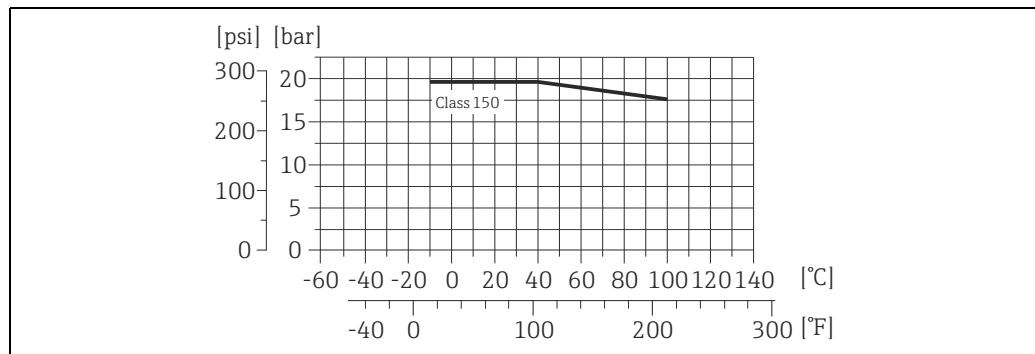


Process connection material: stainless steel (min. -40 °C (-40 °F)), carbon steel (min. -10 °C (+14 °F))

Process connection: flange according to EN 1092-1 (DIN 2501); DN 350 to 2400 (14 to 90")

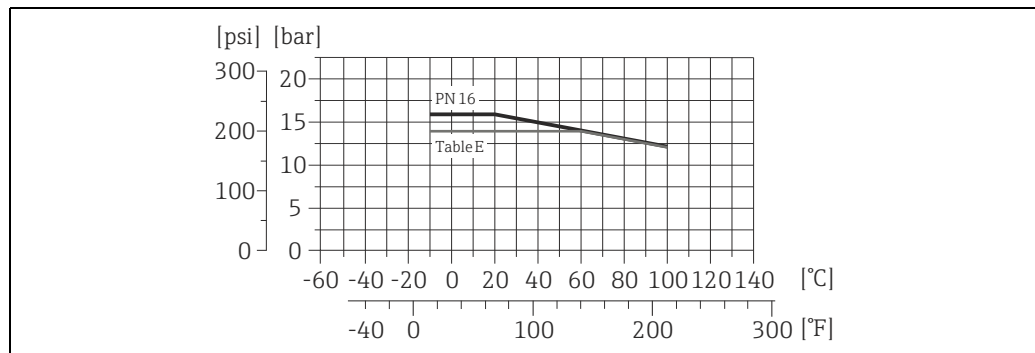


Process connection material: carbon steel

Process connection: flange according to ASME B16.5; DN 350 to 600 (14 to 24")

A0025179-EN

Process connection material: A105

Process connection: flange according to AS 2129 and AS 4087; DN 350 to 2400 (14 to 90")

A0025180-EN

Process connection material: carbon steel

Fitted electrodes

Measuring electrodes, reference electrodes and empty pipe detection electrodes available as standard with:

- 1.4435/304L
- Alloy C22

Process connections

Flange connection:

- EN 1092-1 (DIN 2501)
 - DN ≤ 300 (12") = form A
 - DN ≥ 350 (14") = form B
- ASME B16.5
- AWWA C207
- AS

Surface roughness

Electrodes with 1.4435/304L, Alloy C22: ≤ 0.3 to 0.5 μm (11.8 to 19.7 μin)
(all data refer to parts in contact with medium)

Human interface

Display elements	<ul style="list-style-type: none"> ▪ Liquid crystal display: illuminated, two-line, 16 characters per line ▪ Custom configurations for presenting different measured-value and status variables ▪ 2 totalizers
Operating elements	<ul style="list-style-type: none"> ▪ Onsite operation via three keys (◀, ▶, ⏎) ▪ Quick Setup menus for straightforward commissioning
Language groups	<p>Language groups available for operation in different countries:</p> <ul style="list-style-type: none"> ▪ Western Europe and America (WEA): English, German, Spanish, Italian, French, Dutch and Portuguese ▪ Eastern Europe and Scandinavia (EES): English, Russian, Polish, Norwegian, Finnish, Swedish and Czech ▪ South and East Asia (SEA): English, Japanese, Indonesian <p>You can change the language group via the operating program "FieldCare".</p>
Remote operation	Operation via HART, PROFIBUS DP/PA

Certificates and approvals

CE mark	The measuring system is in conformity with the statutory requirements of the EC Directives. Endress+Hauser confirms successful testing of the device by affixing to it the CE mark.
C-tick mark	The measuring system meets the EMC requirements of the "Australian Communication and Media Authority (ACMA)".
Drinking water approval	<ul style="list-style-type: none"> ▪ WRAS BS 6920 ▪ ACS ▪ NSF 61 ▪ KTW/W270
PROFIBUS DP/PA certification	<p>The flow device has successfully passed all the test procedures carried out and is certified and registered by the PNO (PROFIBUS User Organisation). The device thus meets all the requirements of the following specifications:</p> <ul style="list-style-type: none"> ▪ Certified to PROFIBUS PA, profile version 3.0 (device certification number: on request). ▪ The device can also be operated with certified devices of other manufacturers (interoperability).
Other standards and guidelines	<ul style="list-style-type: none"> ▪ EN 60529 Degrees of protection by housing (IP code). ▪ EN 61010 Protection Measures for Electrical Equipment for Measurement, Control, Regulation and Laboratory Procedures. ▪ IEC/EN 61326 "Emission in accordance with requirements for Class A". Electromagnetic compatibility (EMC requirements). ▪ ASME/ISA-S82.01 Safety Standard for Electrical and Electronic Test, Measuring, Controlling and related Equipment - General Requirements. Pollution degree 2, Installation Category II. ▪ CAN/CSA-C22.2 No. 1010.1-92 Safety requirements for Electrical Equipment for Measurement and Control and Laboratory Use. Pollution degree 2, Installation Category II ▪ NAMUR NE 21 Electromagnetic compatibility (EMC) of industrial process and laboratory control equipment.

- NAMUR NE 43
Standardisation of the signal level for the breakdown information of digital transmitters with analogue output signal.
- NAMUR NE 53
Software of field devices and signal-processing devices with digital electronics.

Ordering information

Detailed ordering information is available from the following sources:

- In the Product Configurator on the Endress+Hauser website: www.endress.com → Select country → Instruments → Select device → Product page function: Configure this product
- From your Endress+Hauser Sales Center: www.endress.com/worldwide



Note!

Product Configurator - the tool for individual product configuration

- Up-to-the-minute configuration data
- Depending on the device: Direct input of measuring point-specific information such as measuring range or operating language
- Automatic verification of exclusion criteria
- Automatic creation of the order code and its breakdown in PDF or Excel output format
- Ability to order directly in the Endress+Hauser Online Shop

Accessories

Various accessories, which can be ordered separately from Endress+Hauser, are available for the transmitter and the sensor. Your Endress+Hauser service organization can provide detailed information on the order codes in question.

Documentation

- Flow measurement (FA005D/06)
- Operating Instructions Promag 50 (BA00046D/06 und BA049D/06)
- Operating Instructions Promag 50 PROFIBUS DP/PA (BA00055D/06 und BA056D/06)

You can order the documents from your Endress+Hauser service organization or download them from the internet addresses given on the last page.

Registered trademarks

HART®

Registered trademark of the HART Communication Foundation, Austin, USA

PROFIBUS®

Registered trademark of the PROFIBUS User Organisation, Karlsruhe, D

HistoROM™, S-DAT®, T-DAT®, F-CHIP®, FieldCare®, Fieldcheck®, Field Xpert™, Applicator®
Registered or registration-pending trademarks of Endress+Hauser Flowtec AG, Reinach, CH

www.addresses.endress.com
