

DB6 alarm bell range up to 109 dB(A)

Ex d, weatherproof



Overview

This explosion-proof bell is available in two voltages.

The bell is manufactured from cast iron, finished in epoxy paint.

Colour to customer's specification.

Features

- Zone 1 and Zone 2 use
- Ex d IIB T5
- ATEX approved Ex II 2G
- IECEx certified, Gb
- IP65
- Certified temperature -20°C to +55°C
- 2 cable entries
- Captive cover screws



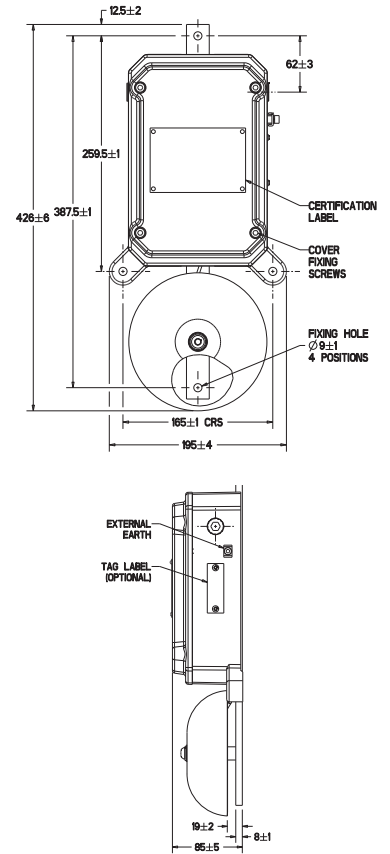
Certifications

Certified to IEC60079-0, IEC60079-1
 Certified to EN60079-0, EN60079-1
 ATEX Cert. No. Baseefa03ATEX0257, Ex II 2 G Ex d IIB T5 Gb
 IECEx Cert. No. IECEx BAS 09.0040 Exd IIB T5 Gb

Specifications

Material	Cast Iron
Finish	Grey epoxy paint as standard or to customer specification
Voltage	24Vdc or 200/254 Vac 50/60 Hz
Contact spring	Phosphor bronze
Contacts	Silver
Coil	Bakelite former
Magnet	Laminated iron
Armature	Pivoted to operate shaft and hammer at back of gong through flameproof bearing
Certified temp	-20°C to +55°C
Weight	11 kg
Ingress protection	IP65
Earthing	M6 internal and external earthing points provided
Entries	2 x M20 with one Ex d blank fitted
Labels	Tag label optional
Termination	Terminals suitable for 4 x 4mm ² cables

General arrangement drawing (all dimensions in mm)



Ordering requirements

The following code is designed to help in selection of the correct unit. Build up the reference number by inserting the code for each component into the appropriate box

Model	Voltage	Certification	Tag label	Finish																												
DB6																																
	<table border="1"> <tr> <th>Voltage</th> <th>Code</th> </tr> <tr> <td>24Vdc</td> <td>B</td> </tr> <tr> <td>240Vac</td> <td>H</td> </tr> </table>	Voltage	Code	24Vdc	B	240Vac	H	<table border="1"> <tr> <th>Certification</th> <th>Code</th> </tr> <tr> <td>ATEX</td> <td>B</td> </tr> <tr> <td>IECEX</td> <td>J</td> </tr> <tr> <td>Weatherproof</td> <td>W</td> </tr> </table>	Certification	Code	ATEX	B	IECEX	J	Weatherproof	W	<table border="1"> <tr> <th>Tag Label</th> <th>Code</th> </tr> <tr> <td>None</td> <td>N</td> </tr> <tr> <td>Label</td> <td>Y*</td> </tr> </table>	Tag Label	Code	None	N	Label	Y*	<table border="1"> <tr> <th>Colour</th> <th>Code</th> </tr> <tr> <td>Grey</td> <td>G</td> </tr> <tr> <td>Red</td> <td>R</td> </tr> <tr> <td>Special</td> <td>S*</td> </tr> </table>	Colour	Code	Grey	G	Red	R	Special	S*
Voltage	Code																															
24Vdc	B																															
240Vac	H																															
Certification	Code																															
ATEX	B																															
IECEX	J																															
Weatherproof	W																															
Tag Label	Code																															
None	N																															
Label	Y*																															
Colour	Code																															
Grey	G																															
Red	R																															
Special	S*																															
			*Please specify wording	*Please specify																												